



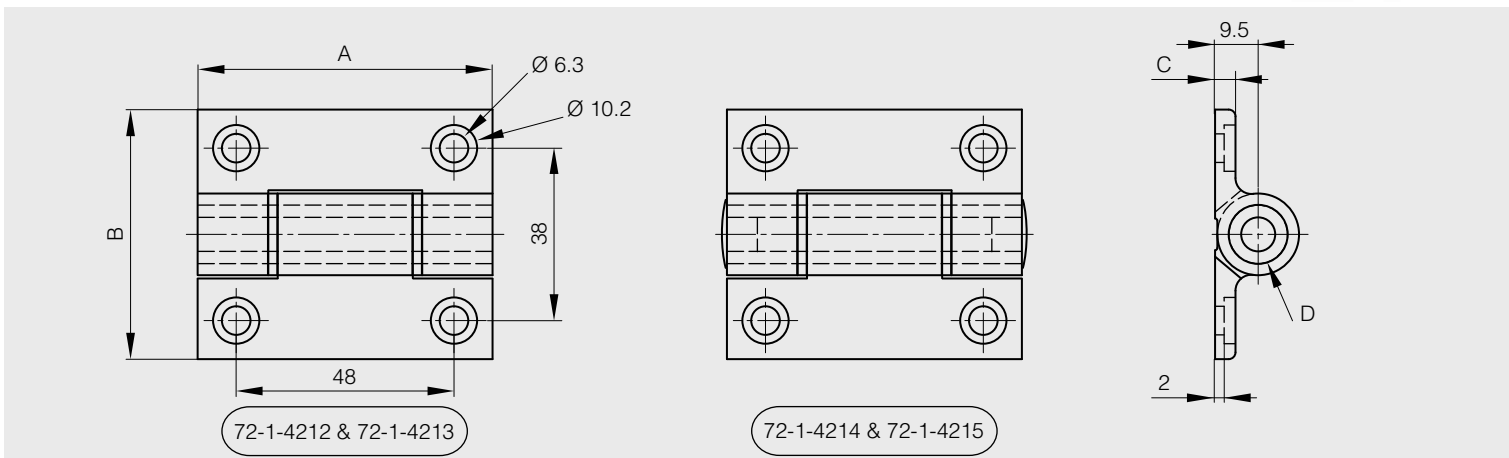
Hinges / Various hinges

Aluminium hinges

new!

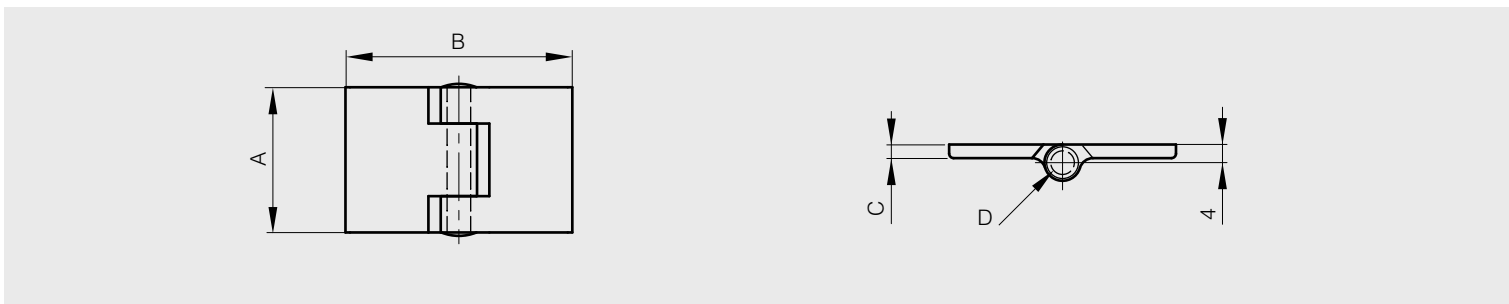
This hinge has the same footprint as our friction, detent and spring hinges. All are fully interchangeable. Plastic pin with or without end caps.

A	B	C	D	torque	part number	material	finish	weight
65	55	4.5	13	without cap	72-1-4212	alu 6060 T5	clear anodised	130g
65	55	4.5	13	without cap	72-1-4213	alu 6060 T5	black anodised	130g
65	55	4.5	13	with cap	72-1-4214	alu 6060 T5	clear anodised	130g
65	55	4.5	13	with cap	72-1-4215	alu 6060 T5	black anodised	130g



Hinge with 304 stainless steel riveted pin

A	B	C	D	part number	material	finish	weight
32	50	3	5.2	72-1-3635	alu 6060 T5	raw	20g
50	50	3	5.2	72-1-3636	alu 6060 T5	raw	30g



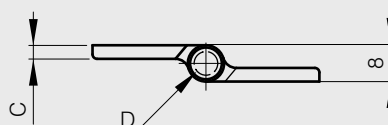
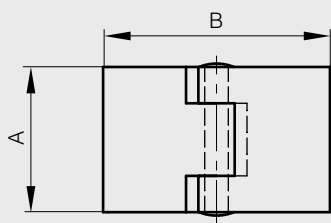


Hinges / Various hinges

Aluminium hinges

Hinge with 304 stainless steel riveted pin

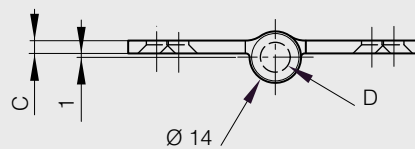
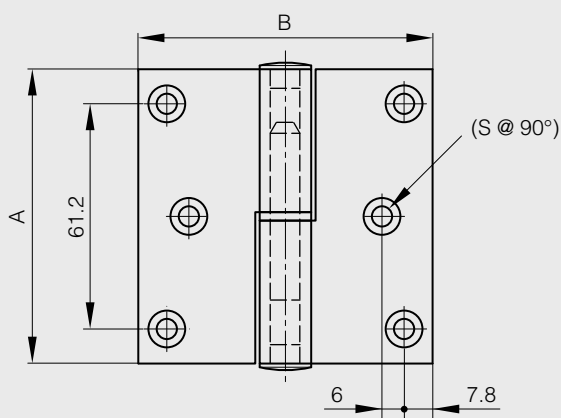
A	B	C	D	part number	material	finish	weight
32	50	3	5.2	72-1-3637	alu 6060 T5	raw	20g
50	50	3	5.2	72-1-3638	alu 6060 T5	raw	30g



Aluminium weld-on hinges 80 x 80mm

Zinc plated steel pin
Nylon sleeve

A	B	C	D	S	note	part number	material	finish	weight
80	80	3.5	8	5.5	type 1 symmetric not shown	14-7-3624	alu	anodised silver	85g
80	80	3.5	8	5.5	type 2 as shown below	14-7-3625	alu	anodised silver	85g

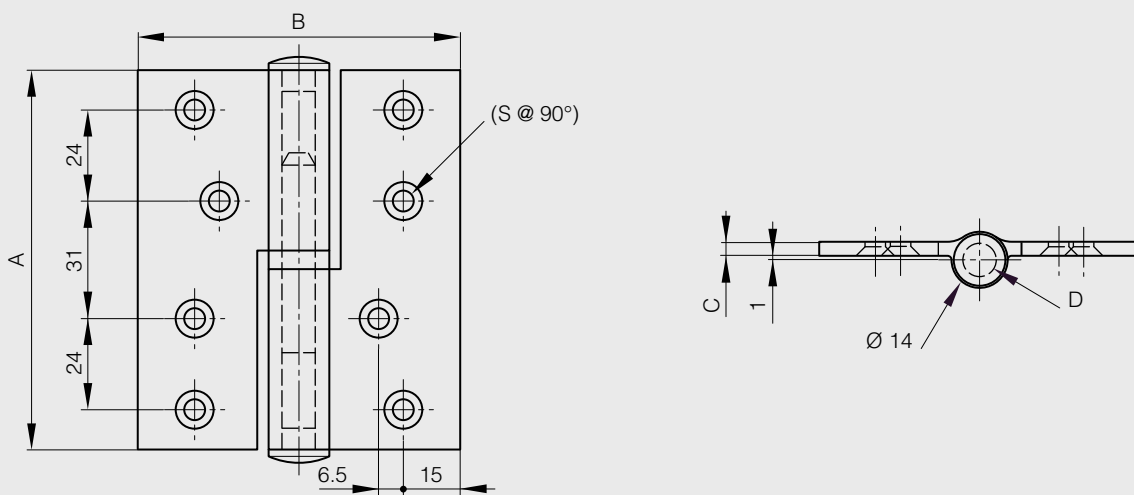




Aluminium weld-on hinges 100 x 85 mm

Zinc plated steel pin
Nylon sleeve

A	B	C	D	S	note	part number	material	finish	weight
100	85	3.5	9	5.5	type 1 symmetric not shown	14-7-3626	alu	anodised silver	99g
100	85	3.5	9	5.5	type 2 as shown below	14-7-3627	alu	anodised silver	99g



Aluminium weld-on hinges 100 x 100 mm

Zinc plated steel pin
Nylon sleeve

A	B	C	D	S	note	part number	material	finish	weight
100	100	4	9	6	type 1 symmetric not shown	14-7-3628	alu	anodised silver	106g
100	100	4	9	6	type 2 as shown below	14-7-3629	alu	anodised silver	106g

