



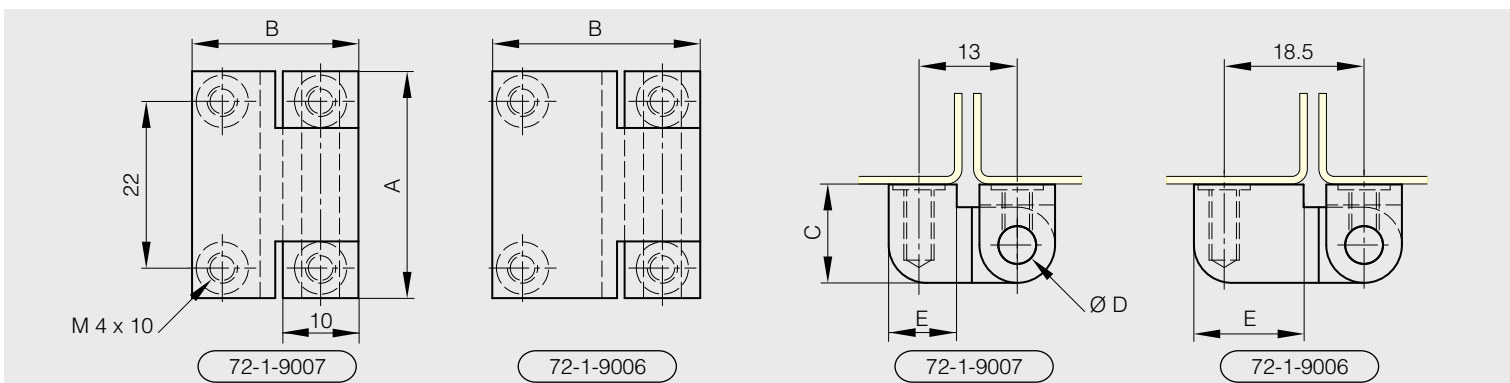
# Hinges / Various hinges

## Zinc die-cast hinges

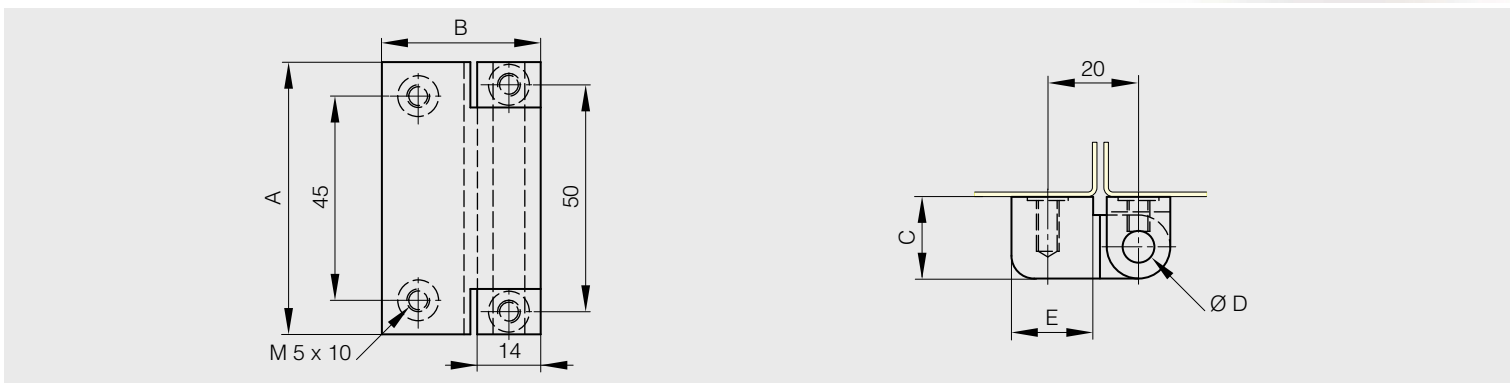
**new!**

Nickel plated steel pin

A	B	C	D	E	part number	material	finish	weight
30	22	13	5	9	<b>72-1-9007</b>	zinc die-cast	black	42g
30	27.5	13	5	14.5	<b>72-1-9006</b>	zinc die-cast	black	60g



A	B	C	D	E	part number	material	finish	weight
60	35	18	7	18	<b>72-1-9005</b>	zinc die-cast	black	170g



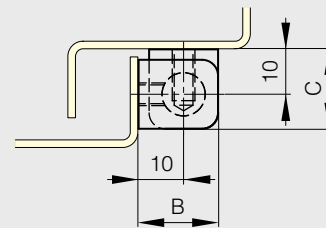
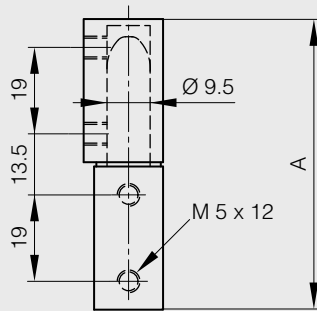


## Zinc die-cast pin hinge

**new!**

Nylon washer

A	B	C	part number	material	finish	weight
64	17.5	17.5	<b>72-1-9004</b>	zinc die-cast	black	76g



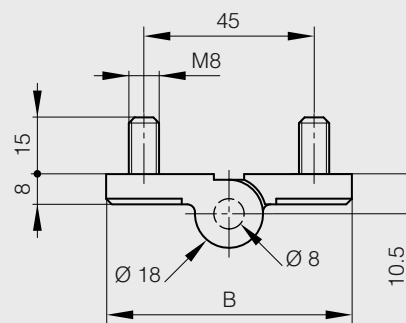
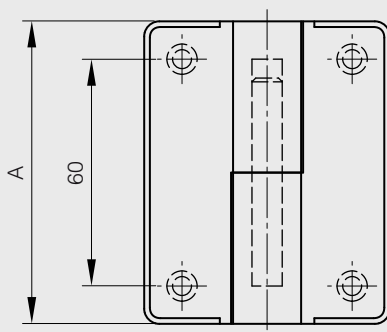
## Zinc die-cast lift-off hinges

**new!**

Fixing by 2 threaded studs

Stainless steel pin

A	B	C	D	G	note	part number	material	finish	weight
80	65	8	8	60	type 2 as shown below	<b>14-7-3813</b>	zinc die-cast	black	330g
80	65	8	8	60	type 1 symmetric not shown	<b>14-7-3814</b>	zinc die-cast	black	330g





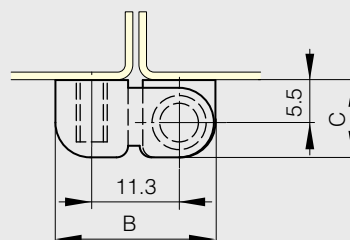
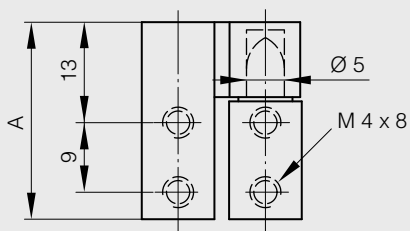
# Hinges / Various hinges

## Zinc die-cast lift-off hinges

**new!**

Nylon washer

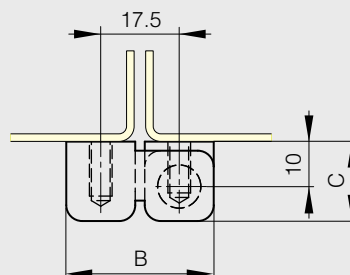
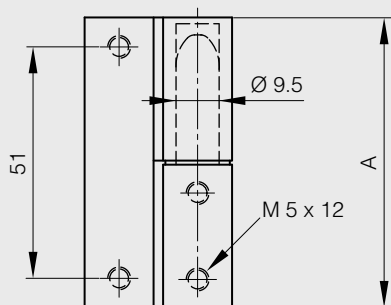
A	B	C	note	part number	material	finish	weight
25.5	20.5	10	type 2 as shown below	<b>72-1-4206</b>	zinc die-cast	black	30g
25.5	20.5	10	type 1 symmetric not shown	<b>72-1-4207</b>	zinc die-cast	black	30g



**new!**

Nylon washer

A	B	C	note	part number	material	finish	weight
64	33	17.5	type 2 as shown below	<b>72-1-9000</b>	zinc die-cast	black	140g
64	33	17.5	type 1 symmetric not shown	<b>72-1-9001</b>	zinc die-cast	black	140g





## Zinc die-cast lift-off hinges

**new!**

Nylon washer

A	B	C	note	part number	material	finish	weight
64	50	17.5	type 2 as shown below	<b>72-1-9002</b>	zinc die-cast	black	230g
64	50	17.5	type 1 symmetric not shown	<b>72-1-9003</b>	zinc die-cast	black	230g

