



Bolt-on hinges in 3 parts

With washers and M6 bolts

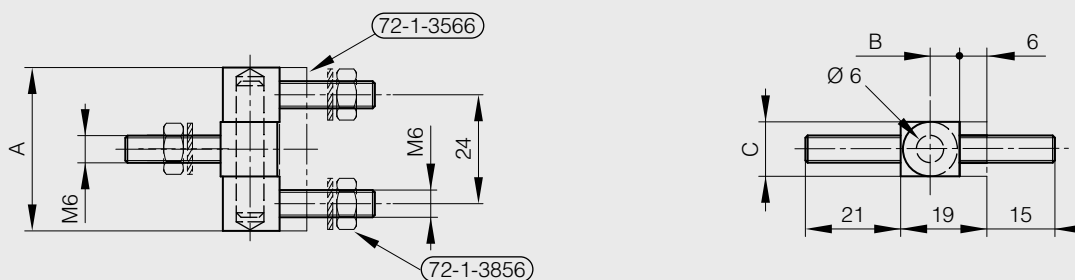
A	B	C	part number	material	finish	weight
36	6.5	12	72-1-3856	steel	raw	70g



Bolt-on hinges in 3 parts with plate

No washers and no bolts

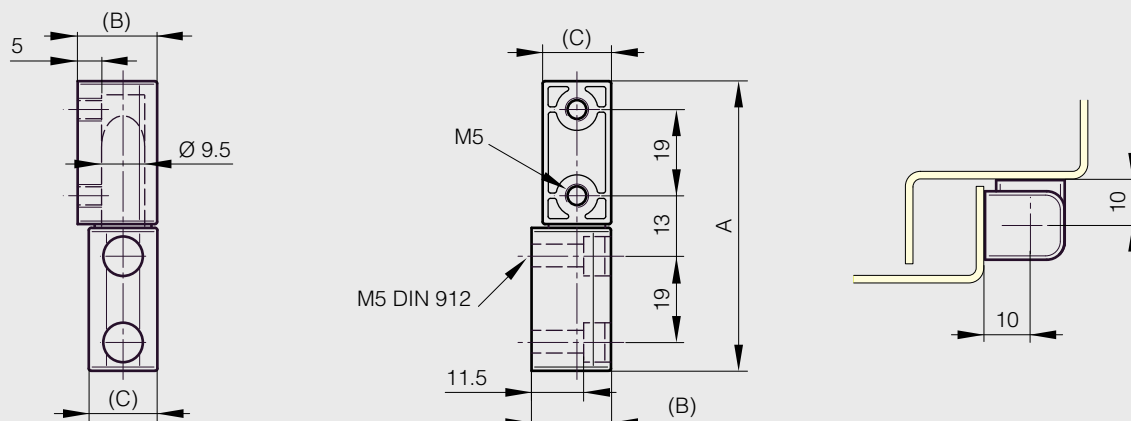
A	B	C	part number	material	finish	weight
36	6.5	12	72-1-3566	steel	raw	63g



Pin hinge for flush doors

For M5 screw

A	B	C	part number	material	finish	weight
63.5	17.5	15.1	72-7-4168	zinc die-cast	black	80g



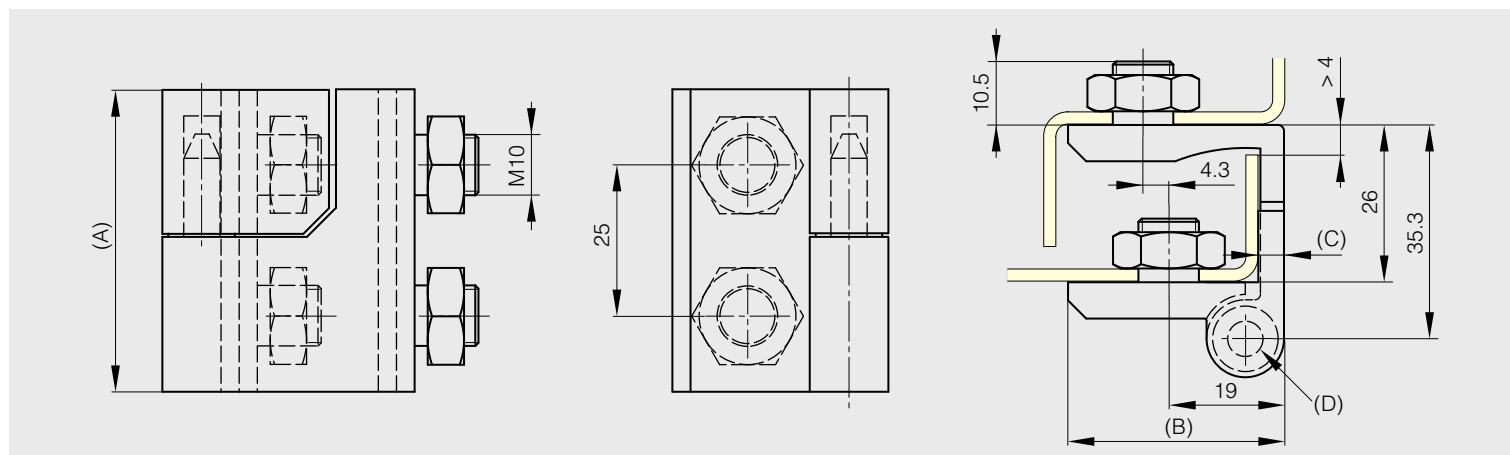


Hinges / Various hinges

Lift-off hinges for adjacent door

A full product data sheet is available on our website.

A	B	C	D	note	part number	material	finish	weight
50	35.7	4	6.4	type 1 symmetric not shown	72-7-4174	zinc die-cast	black	230g
50	35.7	4	6.4	type 2 as shown below	72-7-4175	zinc die-cast	black	230g



Glass door hinge

Hinge delivered in separate parts including:

- Brass hinge 25 x (30 + 18.5)
- Brass plate 25 x 30
- Countersunk screw M6 and connector in brass
- 2 countersunk screws M4 x 10 in steel
- 2 brown steel washers
- 2 M4 steel bolts

Glass thickness: 5mm max



A	B	D	material pin	part number	material	finish	weight
25	48.5	4	stainless steel	72-1-3753	brass	black zinc plated	53g

