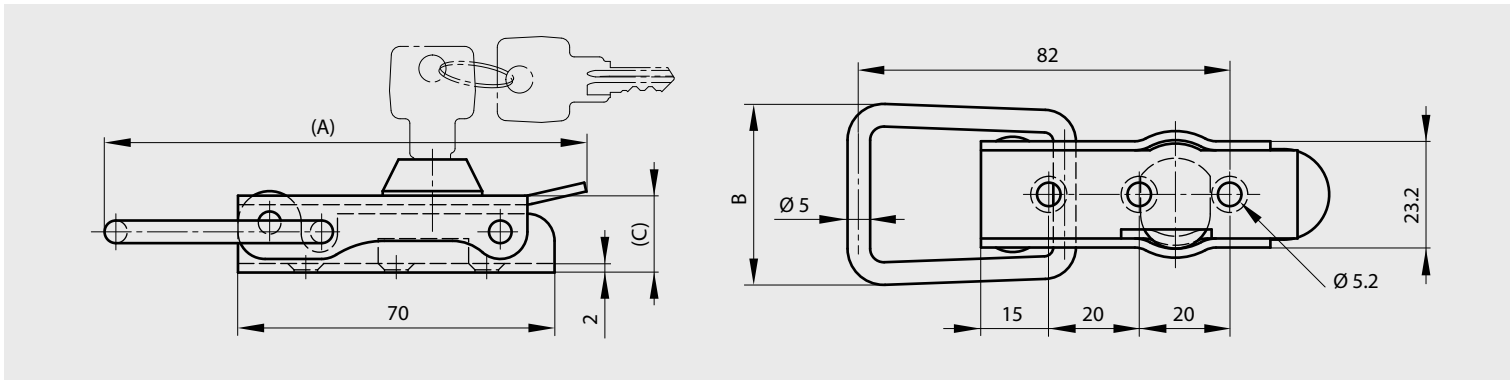


Lockable toggle latch without strike

Complete with 2 keys.
Stainless steel shaft and zinc plated loop.
This latch is used with strike part number 16-7-3551 (see below)



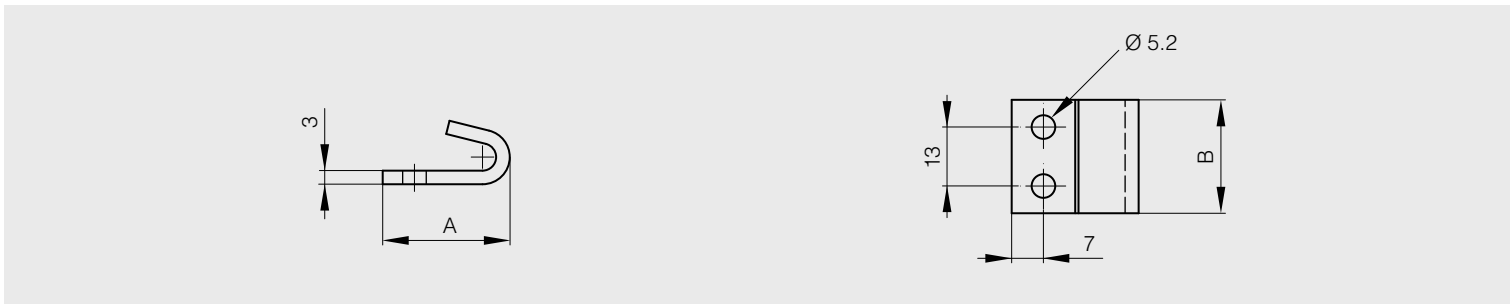
A	B	C	part number	material	finish	weight
106.5	40	17	16-1-4050	steel	zinc plated	132g



Strike for part number 16-1-4050

Possible alternative strikes: 16-1-4038, 16-7-3406 and 16-7-3870.

A	B	part number	material	finish	weight
28	25	16-7-3551	steel	zinc plated	24g



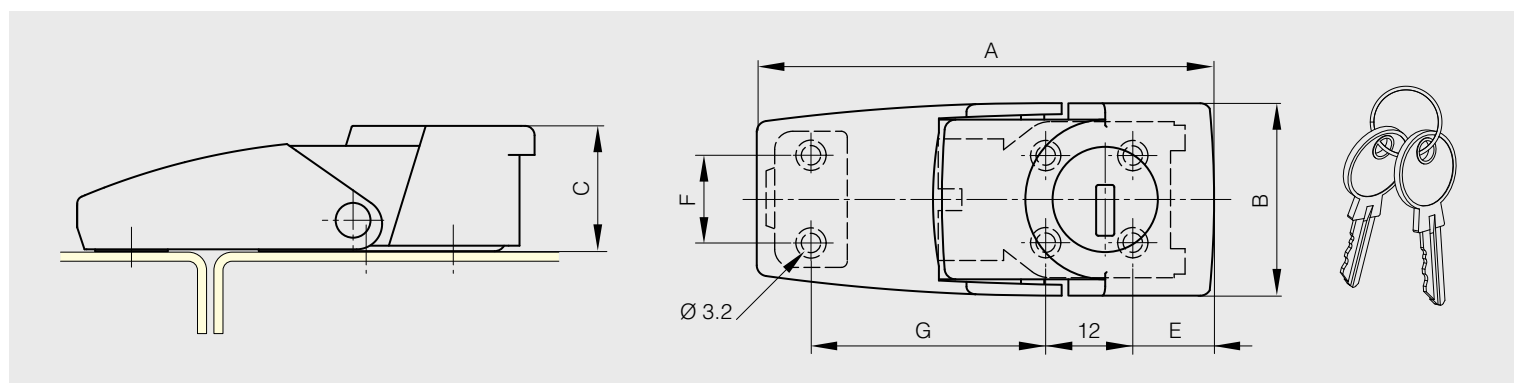


Zinc die-cast toggle latches with lockable options

new!

Available with or without keylock options.
Strike included.

A	B	C	E	F	G	note	part number	material	finish	weight
64.5	26.5	17.3	13	12	30	with key	16-1-9003	zinc die-cast	black	72g
64.5	26.5	17.3	13	12	30	without key	16-1-9004	zinc die-cast	black	72g
76	32	21	16.8	16	35.5	with key	16-1-9001	zinc die-cast	black	118g
76	32	21	16.8	16	35.5	without key	16-1-9002	zinc die-cast	black	118g



new!

Strike included

A	B	C	E	F	G	part number	material	finish	weight
92	36	25	12	12	28-32	16-1-9005	zinc die-cast	black	168g

