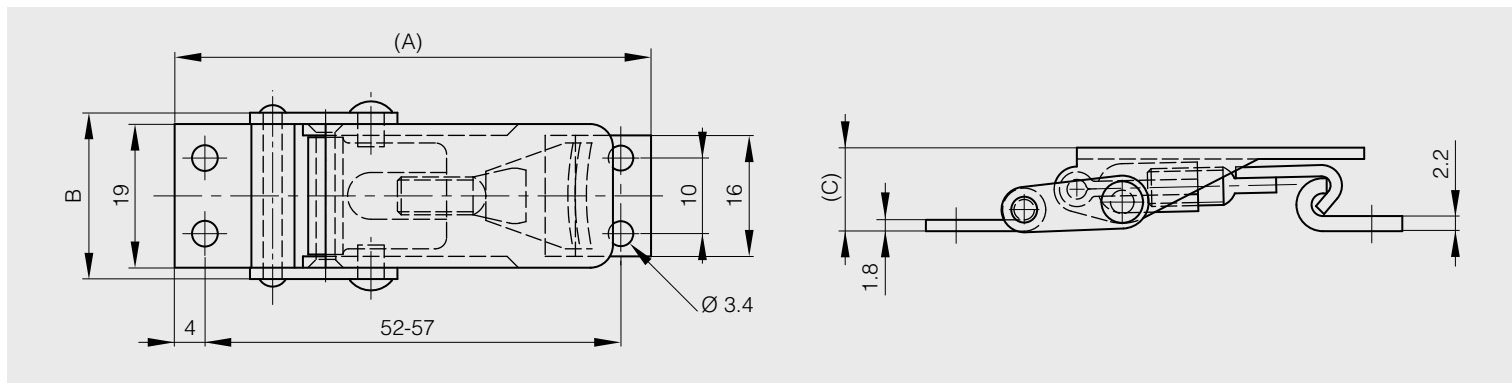


Adjustable toggle latch with strike

Dimension A is adjustable / 60mm to 65mm

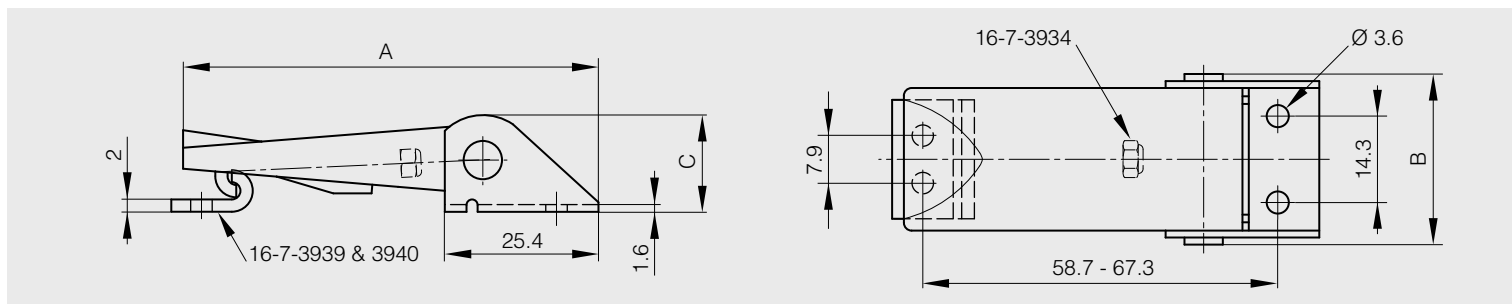
| A | B | C | note | part number | material | finish | weight |
|----|----|----|---------|------------------|----------|-------------|--------|
| 60 | 22 | 10 | 60<A<65 | 16-7-3839 | steel | zinc plated | 36g |



Adjustable toggle latches without strike

This latch is used with strike part numbers 16-7-3939 and 16-7-3940 (see below)
Part number 16-7-3934 has a lockable nut.

| A | B | C | part number | material | finish | weight |
|------|------|----|------------------|---------------------|-------------|--------|
| 70.6 | 28.2 | 16 | 16-7-3932 | steel | zinc plated | 50g |
| 70.6 | 28.2 | 16 | 16-7-3934 | steel | zinc plated | 50g |
| 70.6 | 28.2 | 16 | 16-7-3933 | 304 stainless steel | raw | 50g |



Strike for part numbers 16-7-3932, 16-7-3933 and 16-7-3934

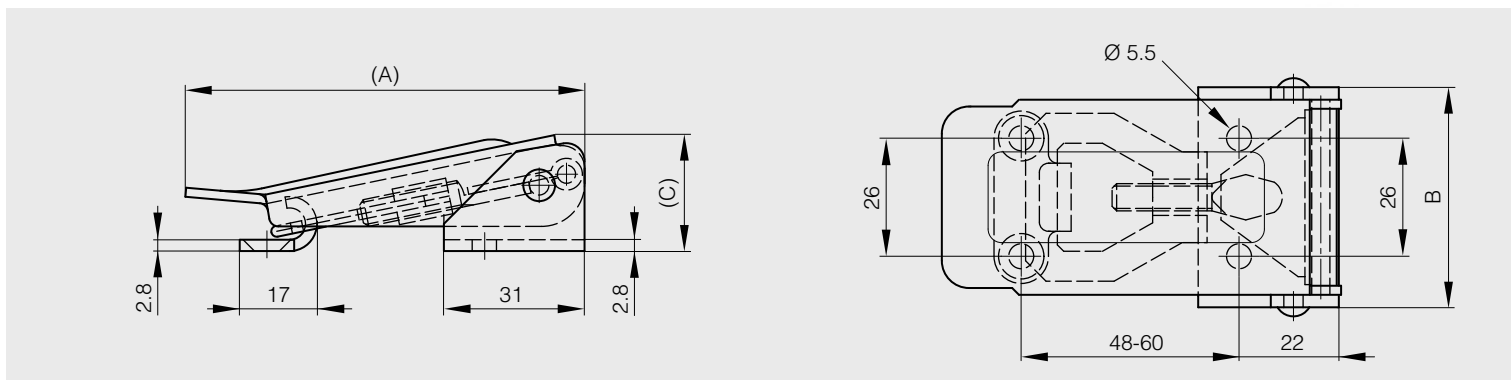
| part number | material | finish | weight |
|------------------|---------------------|-------------|--------|
| 16-7-3939 | steel | zinc plated | 4.5g |
| 16-7-3940 | 304 stainless steel | raw | 4.5g |





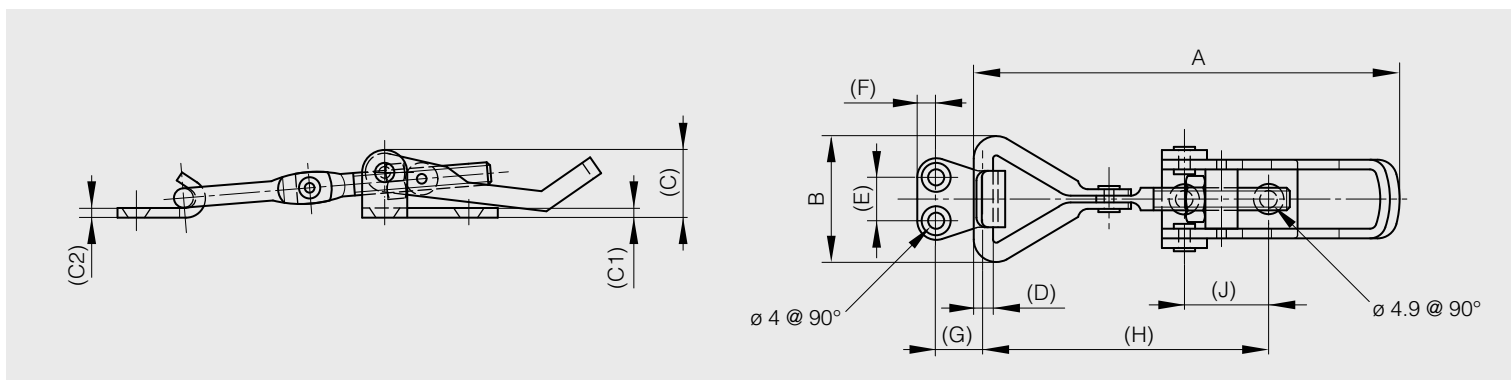
Adjustable toggle latch with strike

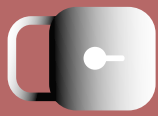
| A | B | C | part number | material | finish | weight |
|----|------|----|------------------|---------------------|-------------|--------|
| 88 | 48.5 | 26 | 16-7-3843 | steel | zinc plated | 174g |
| 88 | 48.5 | 26 | 16-7-3844 | 304 stainless steel | raw | 174g |



Adjustable toggle latches with strike

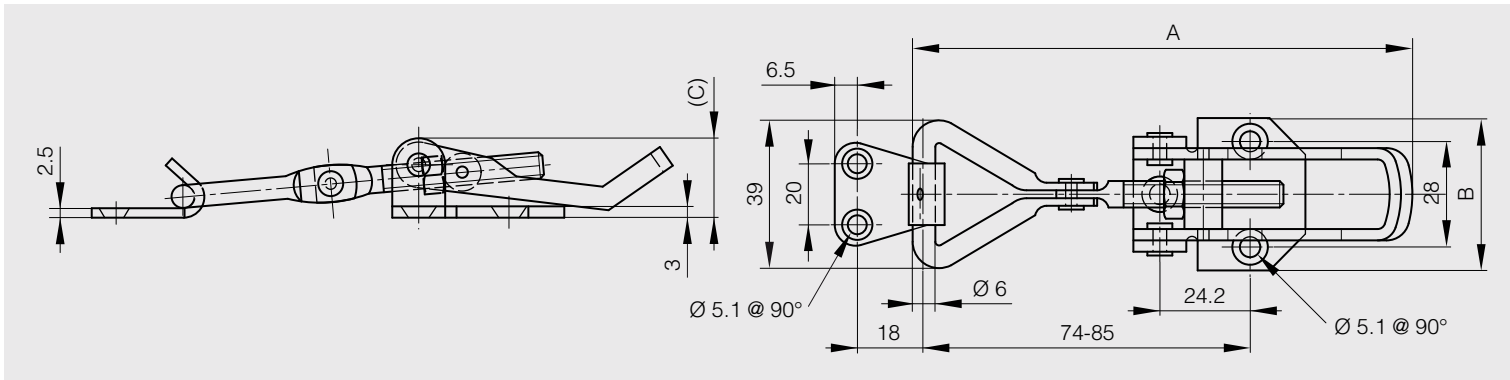
| A | B | C | C1 | C2 | D | E | F | G | H | J | note | part number | material | finish | weight |
|-----|----|----|-----|----|---|----|-----|----|-------|----|-----------|------------------|---------------------|-------------|--------|
| 82 | 28 | 14 | 2 | 2 | 4 | 14 | 5 | 10 | 52-59 | 18 | 82<A<89 | 16-7-4017 | steel | zinc plated | 46g |
| 103 | 34 | 18 | 2.5 | 3 | 5 | 17 | 6.5 | 10 | 68-86 | 17 | 103<A<121 | 16-7-4019 | steel | zinc plated | 90g |
| 82 | 28 | 14 | 2 | 2 | 4 | 14 | 5 | 10 | 52-59 | 18 | 82<A<89 | 16-7-4024 | 304 stainless steel | raw | 46g |
| 103 | 34 | 18 | 2.5 | 3 | 5 | 17 | 6.5 | 10 | 68-86 | 17 | 103<A<121 | 16-7-4026 | 304 stainless steel | raw | 90g |





Adjustable toggle latch with strike

| A | B | C | note | part number | material | finish | weight |
|-----|------|----|-----------|------------------|---------------------|-------------|--------|
| 118 | 40.5 | 18 | 118<A<128 | 16-7-4022 | steel | zinc plated | 130g |
| 118 | 40.5 | 18 | 118<A<128 | 16-7-4029 | 304 stainless steel | raw | 130g |





Adjustable toggle latch without strike

Dimension A is adjustable / 119.1mm to 133.6mm.

Aluminium mounting plate.

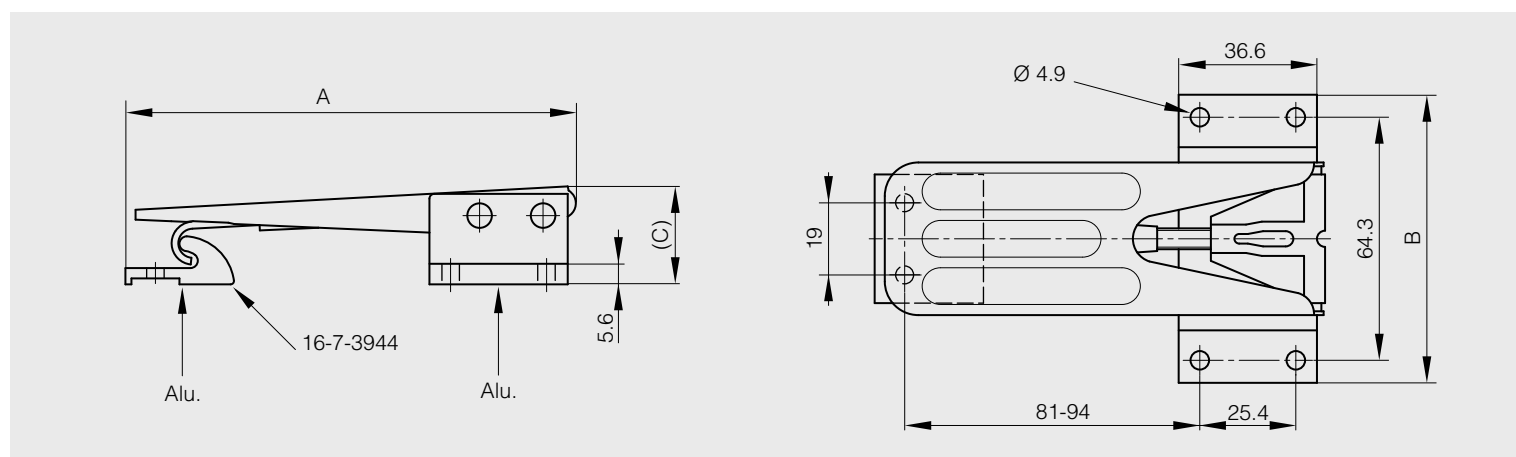
This latch is used with strike part number 16-7-3944 (see below)

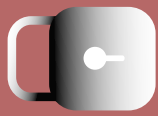
| A | B | C | note | part number | material | finish | weight |
|-------|------|------|---------------|------------------|----------|-------------|--------|
| 119.1 | 76.2 | 25.9 | 119.1<A<133.6 | 16-7-3941 | steel | zinc plated | 150g |



Strike for part number 16-7-3941

| part number | material | finish | weight |
|------------------|----------|--------|--------|
| 16-7-3944 | alu | raw | 9g |

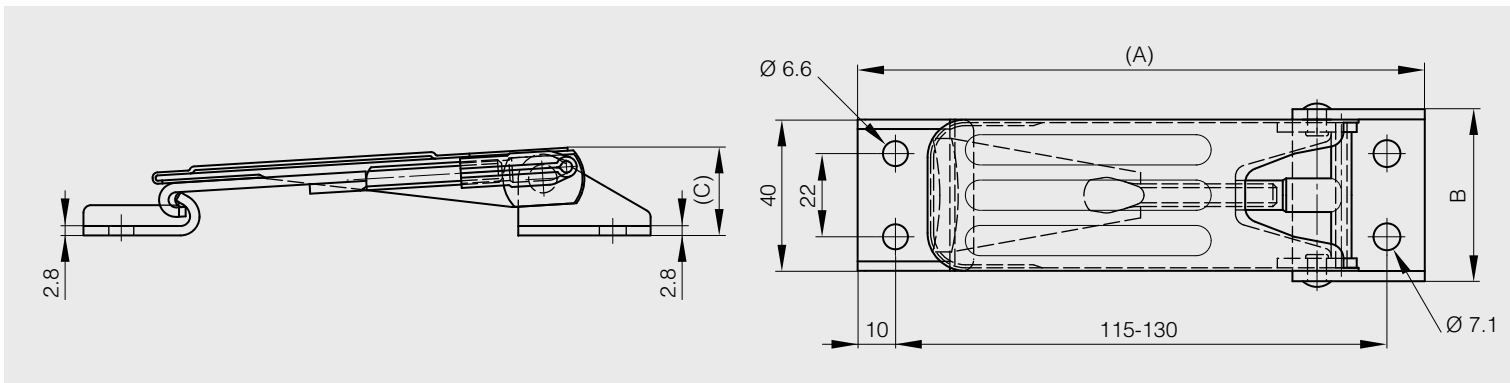




Adjustable toggle latch with strike

Dimension A is adjustable / 135mm to 150mm.

| A | B | C | note | part number | material | finish | weight |
|-----|------|----|-----------|------------------|----------|-------------|--------|
| 135 | 45.5 | 23 | 135<A<150 | 16-7-3842 | steel | zinc plated | 170g |



Adjustable toggle latch with strike

Dimension A is adjustable / 138mm to 150mm.

| A | B | C | note | part number | material | finish | weight |
|-----|----|----|-----------|------------------|---------------------|-------------|--------|
| 138 | 52 | 18 | 138<A<150 | 16-7-3840 | steel | zinc plated | 100g |
| 138 | 52 | 18 | 138<A<150 | 16-7-3841 | 304 stainless steel | raw | 100g |

