

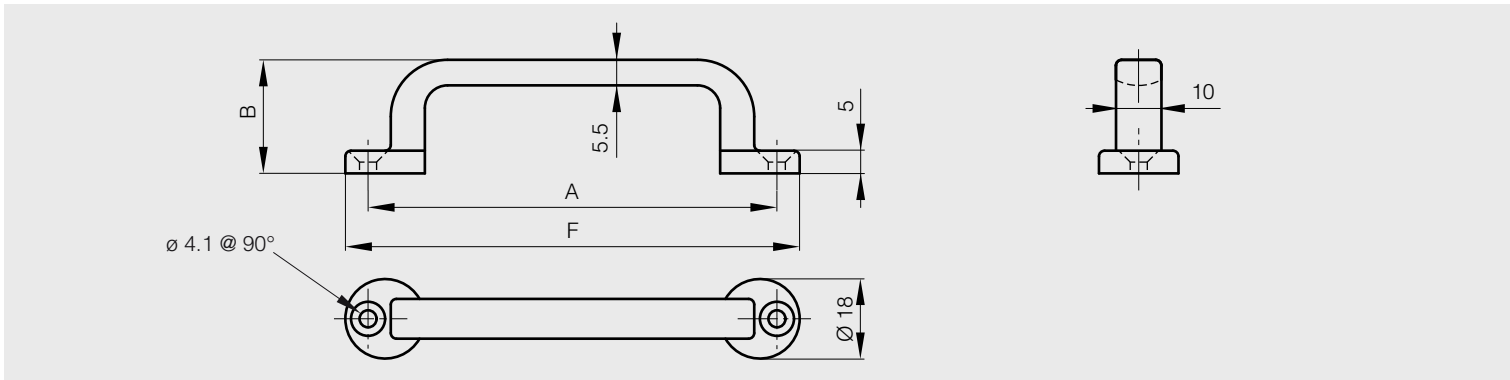


Stainless steel / Handles

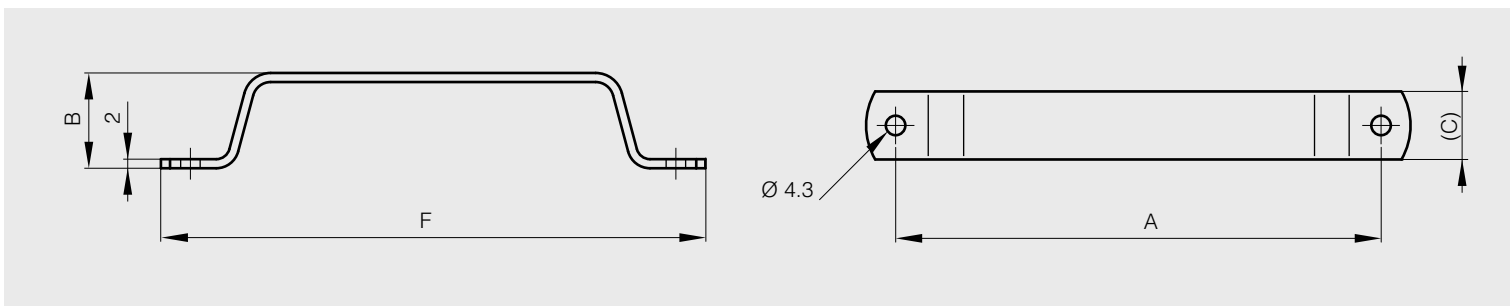
Front mounted grab handles

Complete with wood screws

A	B	F	part number	material	finish	weight
88	25	100	19-7-3693	304 stainless steel	mirror polished	68.5g



A	B	C	F	part number	material	finish	weight
107	21	15	120	19-1-3797	304 stainless steel	deburred	32g

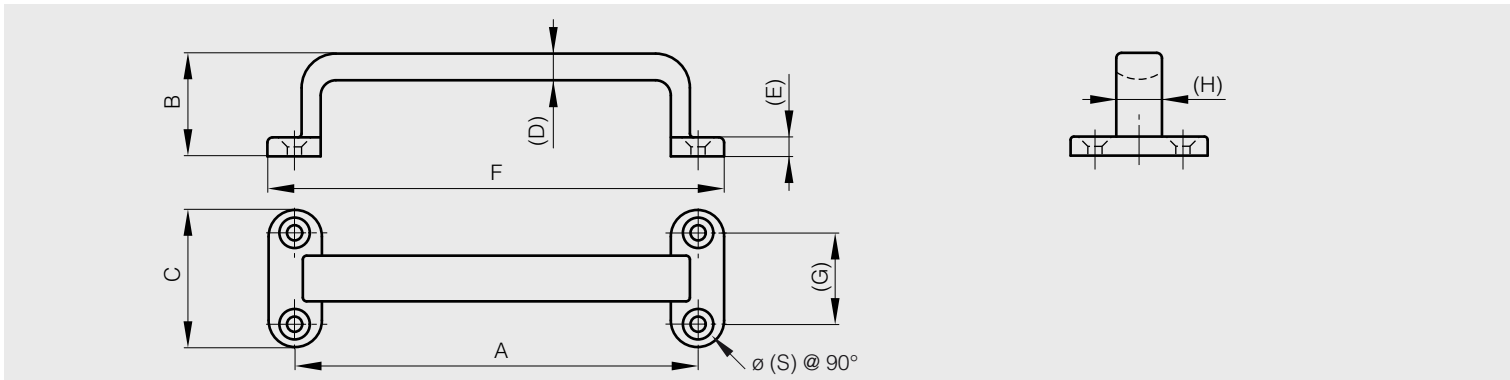




Front mounted grab handles

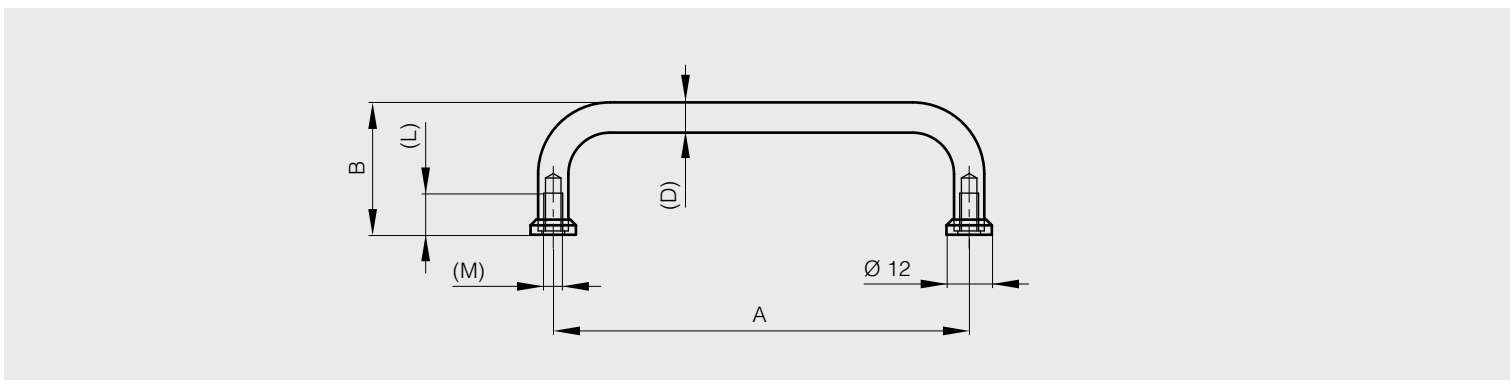
Complete with wood screws

A	B	C	D	E	F	G	H	S	part number	material	finish	weight
106	27	24	7	5	120	24	12	4.1	19-7-3694	304 stainless steel	mirror polished	131g
126	33	30	8	6	150	30	15	5.3	19-7-3695	304 stainless steel	mirror polished	242g



Rear mounted handle

A	B	D	L	M	part number	material	finish	weight
110	35	8	11	5	19-1-3424	304 stainless steel	polished	61g



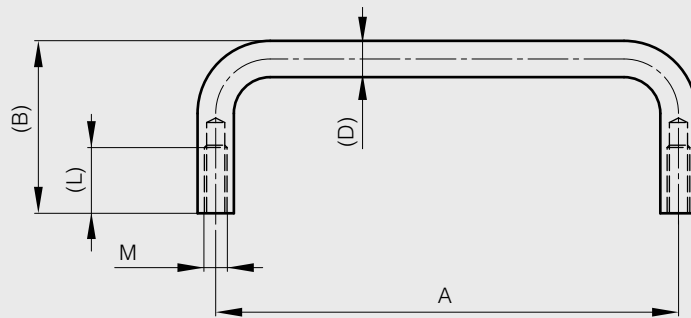


Stainless steel / Handles

Rear mounted handles

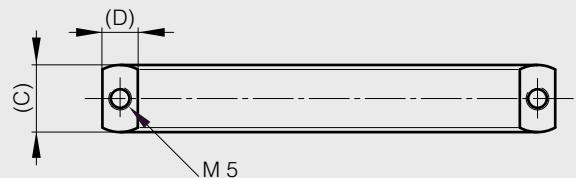
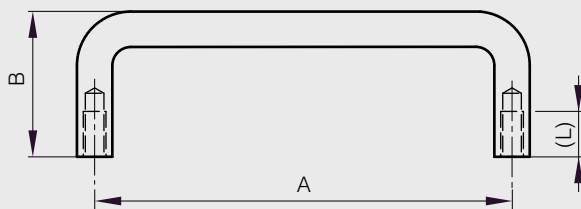
For use with M4 screws

A	B	D	L	M	part number	material	finish	weight
95	28	9	8	4	19-7-3701	304 stainless steel	raw	76g
120	28	9	8	4	19-7-3700	304 stainless steel	raw	88g
150	28	9	8	4	19-7-3699	304 stainless steel	raw	103g



For use with M5 screws

A	B	C	D	L	part number	material	finish	weight
92	32	14.8	7.8	10	19-1-3833	316 stainless steel	mirror polished	120g
100	40	14	8	11	19-7-3696	304 stainless steel	mirror polished	120g
110	32	14.8	7.8	10	19-1-3834	316 stainless steel	mirror polished	120g
150	50	14	8	11	19-7-3697	304 stainless steel	mirror polished	174g
200	50	14	8	11	19-7-3698	304 stainless steel	mirror polished	210g

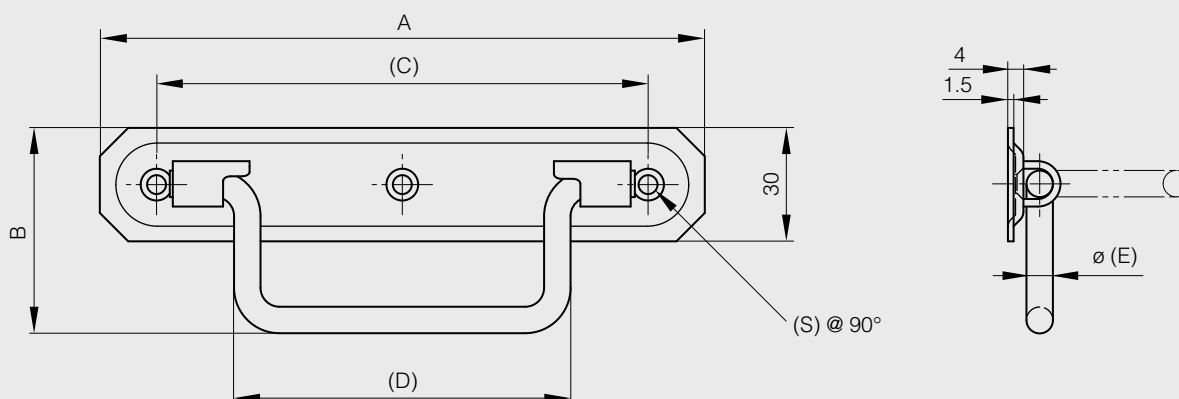




Drop handle

With 90° stop.

A	B	C	D	E	S	note	part number	material	finish	weight
160	54	130	89	7	5.2	load : 35 kg / chamfreemed angles	19-7-3690	304 stainless steel	raw	120g



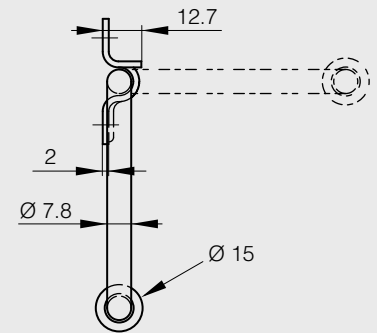
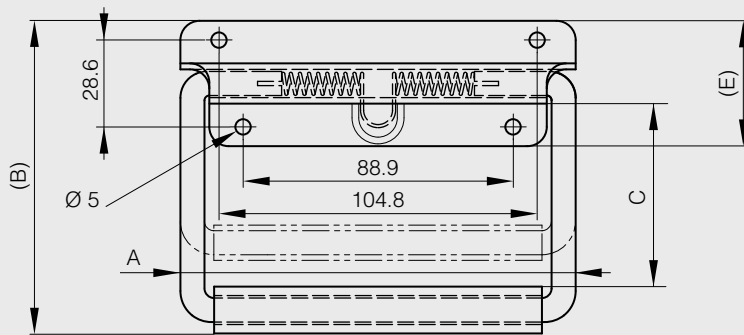


Stainless steel / Handles

Spring loaded handles

Maximum load: 45kg
 With 90° stop.
 Rubber grip.

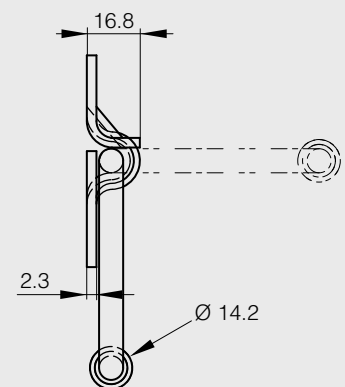
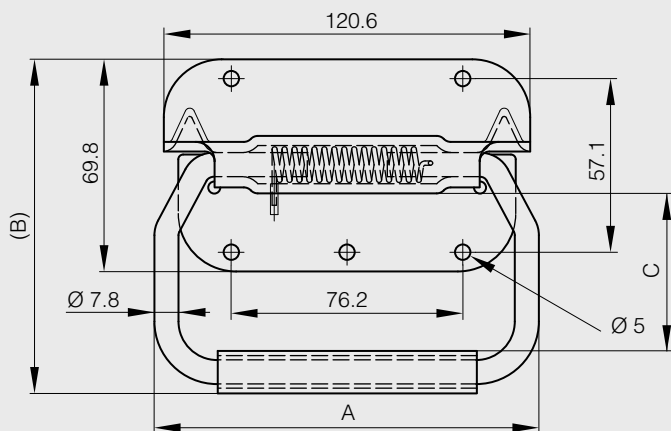
A	B	C	E	part number	material	finish	weight
130.3	82.6	38.1	41.9	19-7-3746	stainless steel	raw	272g
130.3	104.1	60.4	41.9	19-7-3741	stainless steel	raw	272g



Maximum load : 54kg.
 With 90° stop.

A special aluminium sleeve located between the rubber grip and the bail assures the grip will not ride up on the bail during lifting. Adds comfort and durability.
 Fungus resistant neoprene.
 Meets military specifications MIL.T.945, MIL.C.4150.

A	B	C	part number	material	finish	weight
130	112.7	50.8	19-7-3725	stainless steel	raw	317g

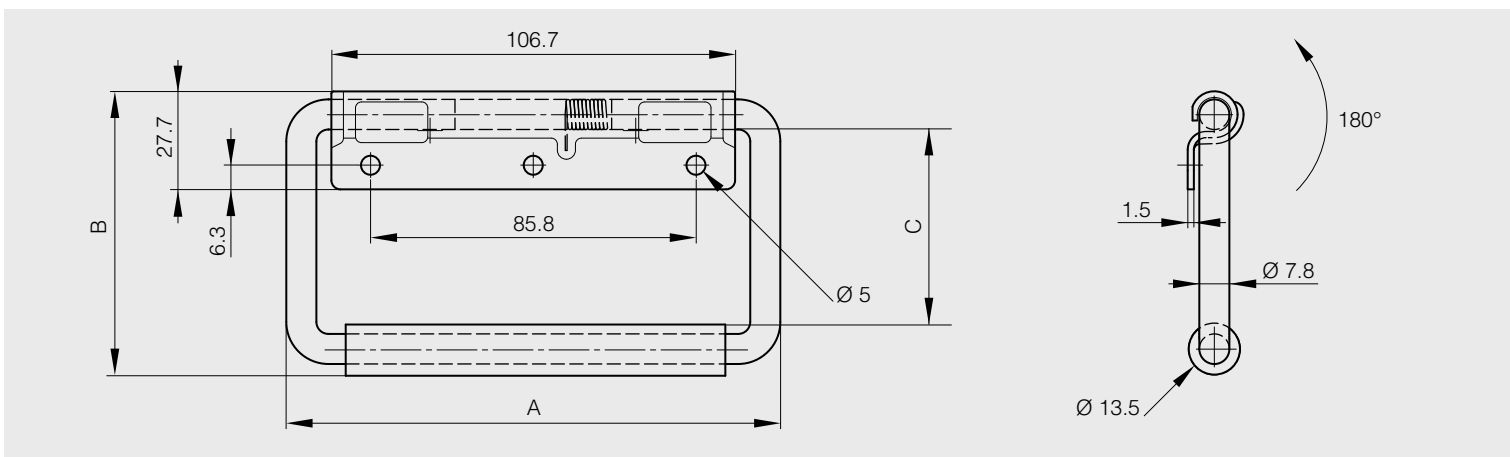




Spring loaded handle - 180° opening

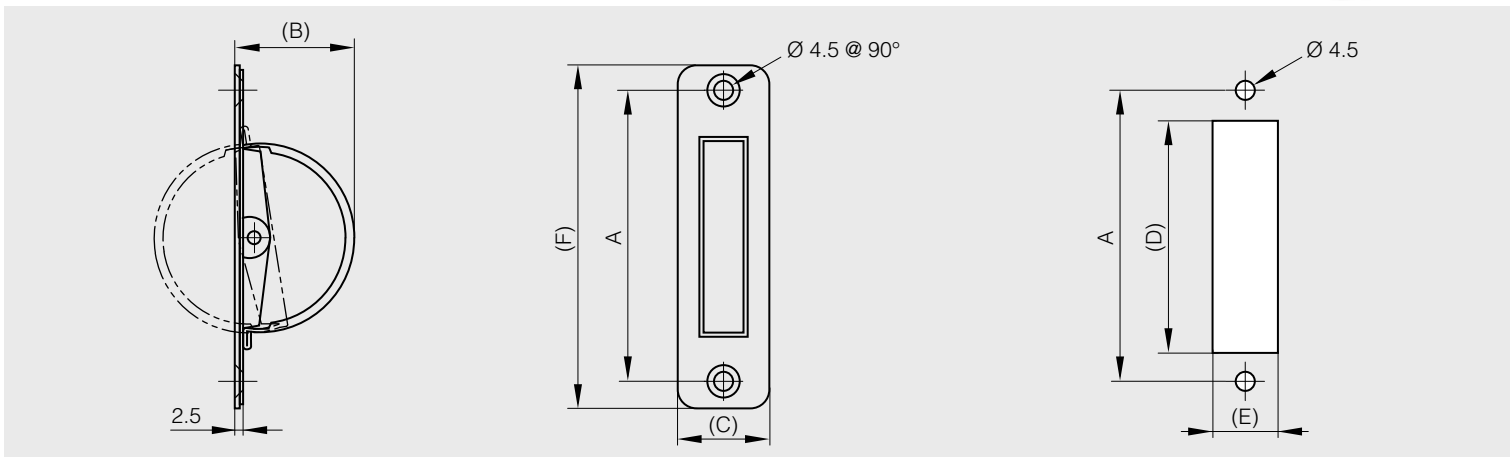
Maximum load : 34kg.
 With 180° stop.
 Rubber grip.

A	B	C	part number	material	finish	weight
130	75.4	46	19-7-3711	stainless steel	passivated	227g



Retractable flush handles

A	B	C	D	E	F	part number	material	finish	weight
76	36	24	60	18	90	19-7-3813	304 stainless steel	satin	46g
94	42	24	72	18	110	19-7-3814	304 stainless steel	satin	55g

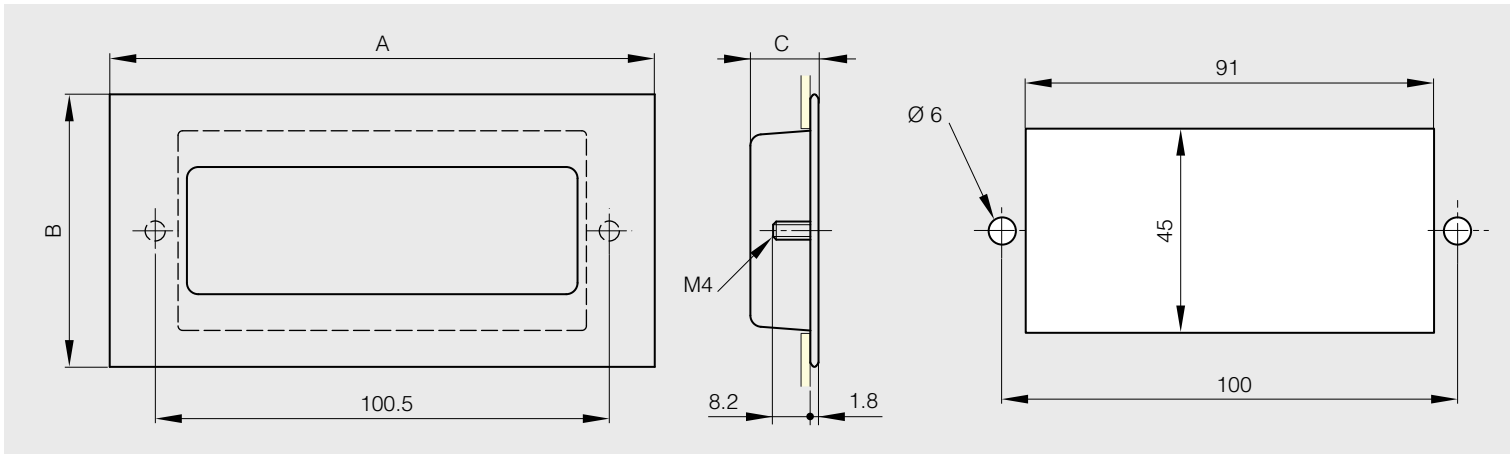
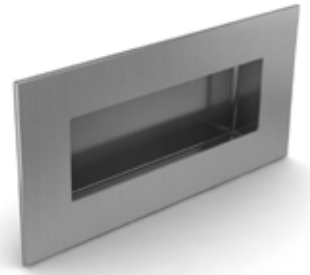




Stainless steel / Handles

Bolt-on flush handles

A	B	C	part number	material	finish	weight
120	60	15	19-7-3831	304 stainless steel	satin	54g



A	B	C	part number	material	finish	weight
120	62	16	19-7-3832	304 stainless steel	satin	60g

