



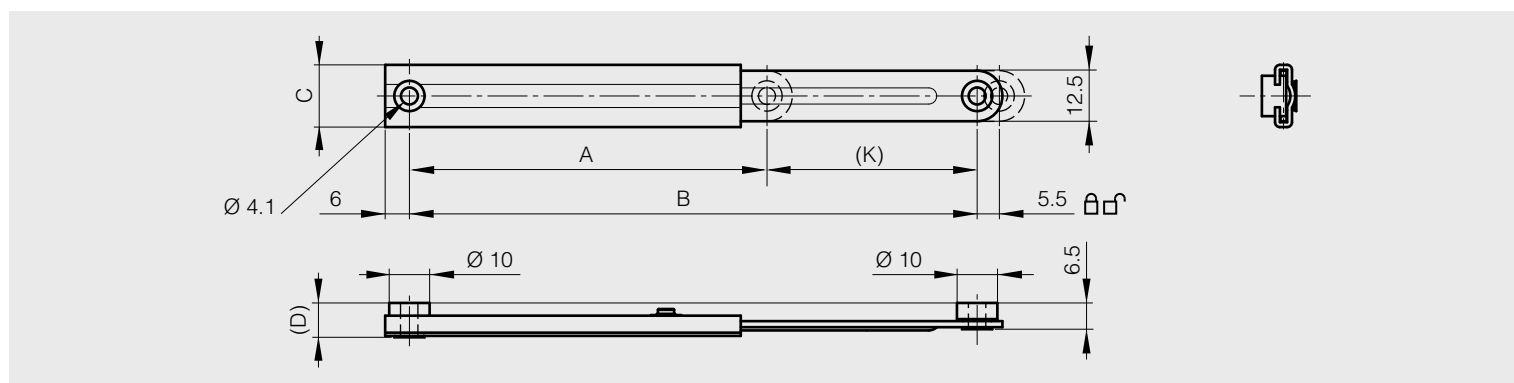
Stainless steel / Lid & support stays

Support stays with automatic release

new!

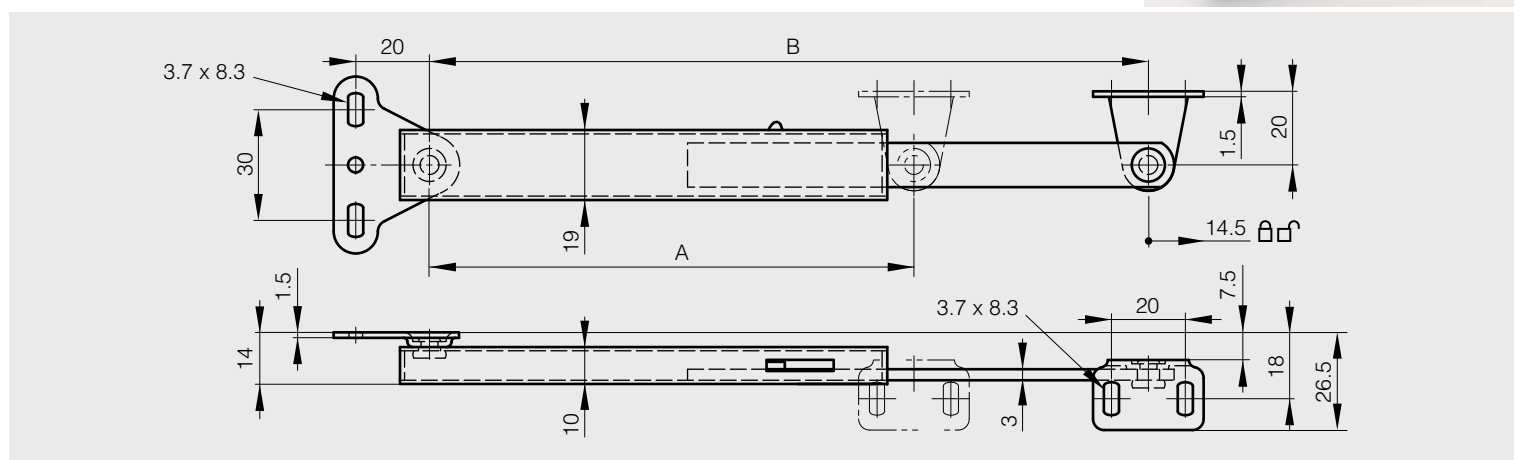
Load capacity : 6 kg

A	B	C	D	K	part number	material	finish	weight
67	100	15.4	8.8	32	24-7-3577	304 stainless steel	raw	10g
88	140	15.4	8.8	52	24-7-3571	304 stainless steel	raw	40g



Load capacity : 15 kg

A	B	part number	material	finish	weight
133	195	24-7-3552	304 stainless steel	satin	125g
170	270	24-7-3553	304 stainless steel	satin	150g



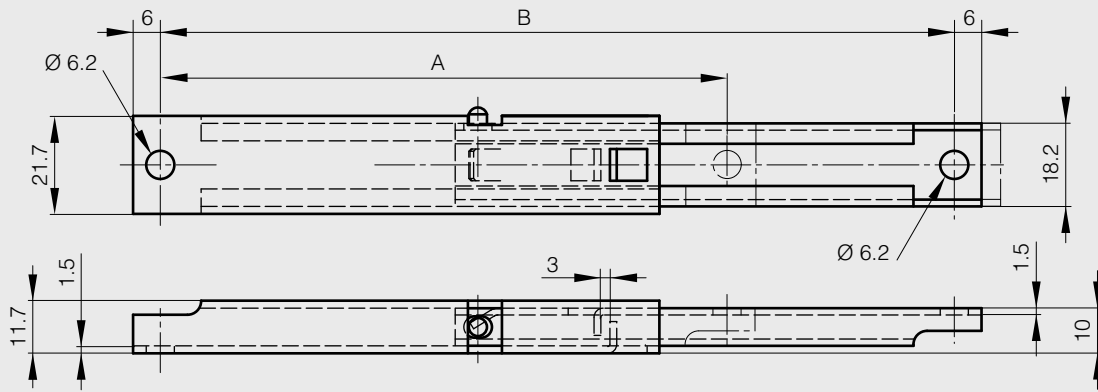


Stainless steel / Lid & support stays

Support stays with manual release

A = closed dimension
 B = extended dimension
 Load capacity: 50 kg
 Push button release

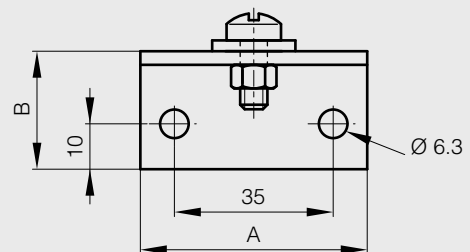
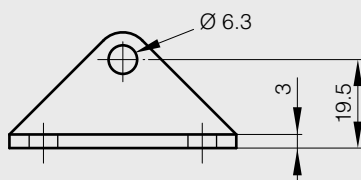
A	B	part number	material	finish	weight
125	173	24-1-3558	304 stainless steel	raw	101g
150	225	24-1-3559	304 stainless steel	raw	125g
175	275	24-1-3560	304 stainless steel	raw	145g



Bracket

Complete with M6 screw, M6 nut and 3 mm thick washer
 For part numbers 24-1-3558, 24-1-3559 and 24-1-3560

A	B	part number	material	finish	weight
50	26	99-1-3558	stainless steel	raw	54g



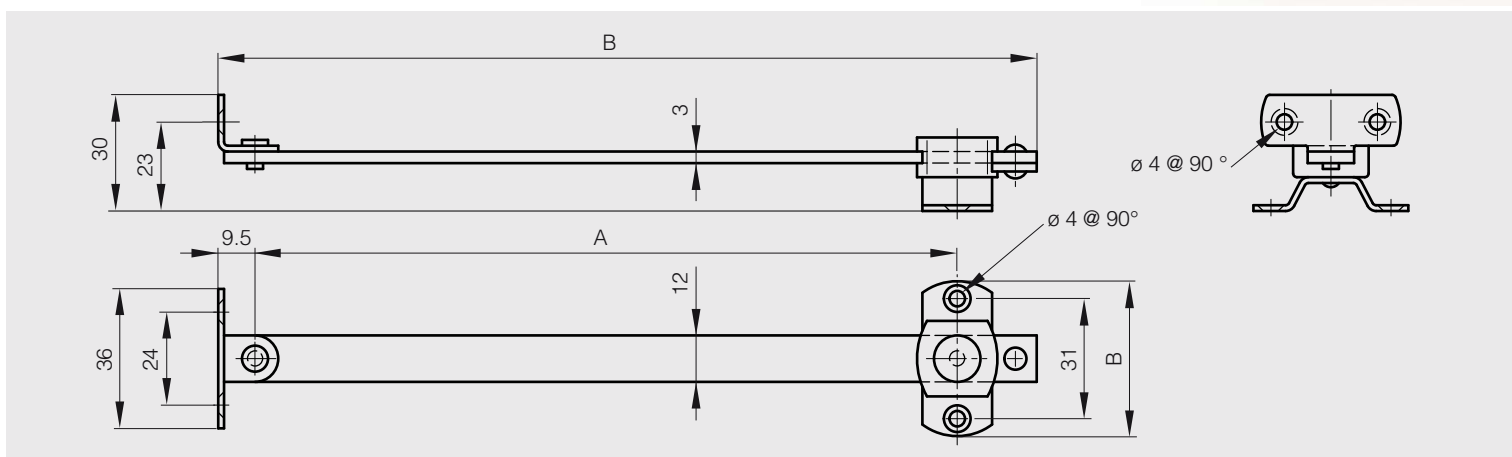


Stainless steel / Lid & support stays

Lid stay

For holding lids or panels in open position (vertical to horizontal)

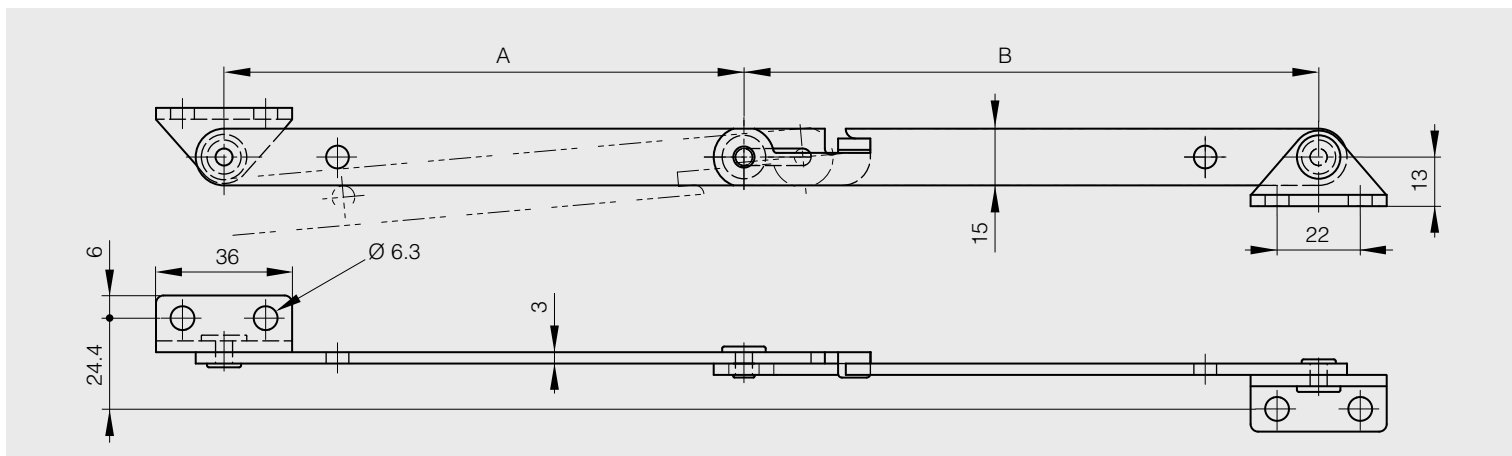
A	B	part number	material	finish	weight
180	210	24-7-3546	304 stainless steel	satin	89.5g
210	240	24-7-3547	304 stainless steel	satin	94.5g
240	270	24-7-3548	304 stainless steel	satin	106.5g



Stay with safety stop

new!

A	B	note	part number	material	finish	weight
138	152	symmetrical version not shown	24-1-9000	stainless steel	raw	148g
138	152	as shown below	24-1-9001	stainless steel	raw	148g

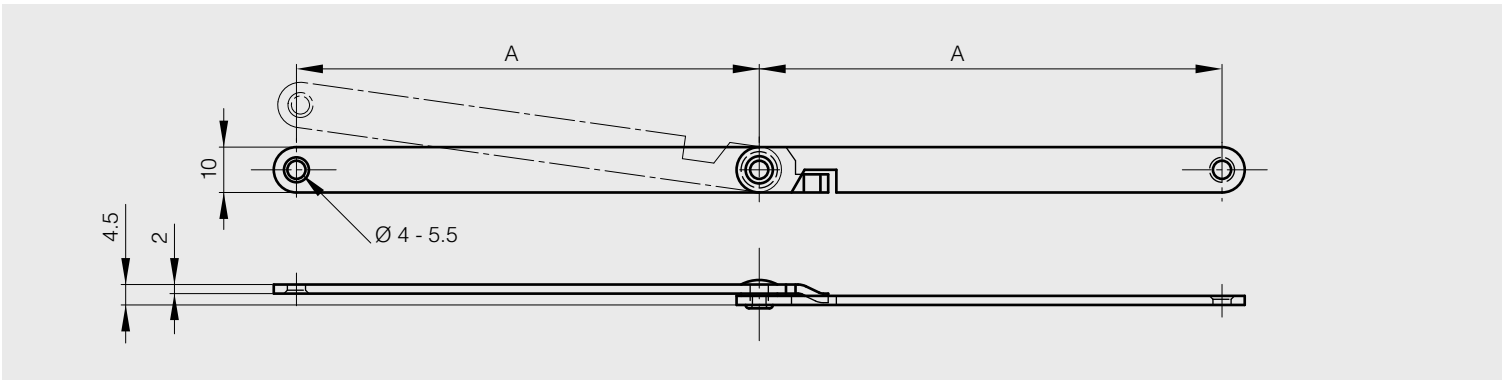




Stainless steel / Lid & support stays

Stays

A	note	part number	material	finish	weight
102	as shown below	24-1-0247	304 stainless steel	polished	35g
102	symmetrical version not shown	24-1-0248	304 stainless steel	polished	35g



Spring loaded stay

A full product data sheet is available on our website.

A	B	note	part number	material	finish	weight
92	28.5	torque : 3 Nm	24-7-3569	304 stainless steel	polished	120g
92	28.5	torque : 4 Nm	24-7-3570	304 stainless steel	polished	120g

