



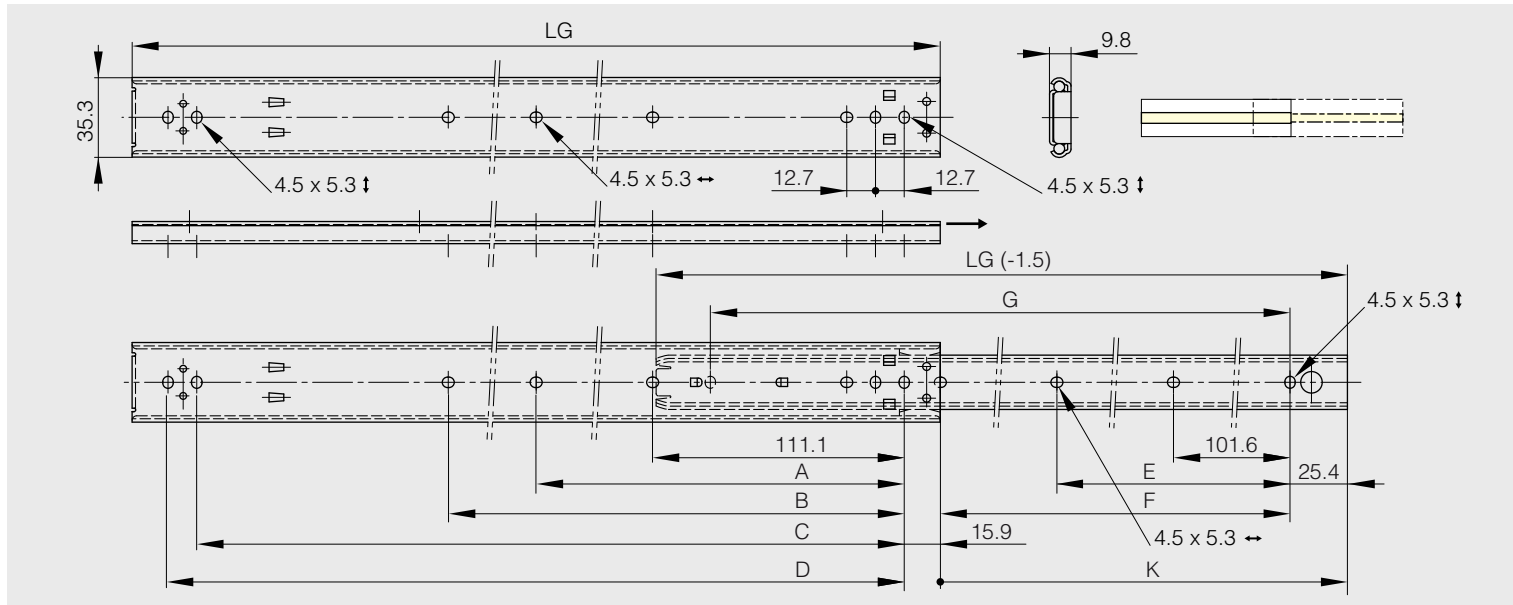
3/4 extension ball-bearing slide (2 pieces), front disconnect

LG = slide length

K = travel length

CN = load rating (kg/pair)

K	LG	A	B	C	D	E	F	G	CN	part number	material	finish	weight
228.6	304.8	-	152.4	254	-	149.2	260.3	273	49	21-7-3576	304 stainless steel	raw	300g
279.4	355.6	-	203.2	304.8	-	200	311.1	323.8	47	21-7-3577	304 stainless steel	raw	360g
304.8	406.4	-	254	359.6	-	250.8	361.9	374.6	43	21-7-3562	304 stainless steel	raw	420g
330.2	457.2	203.2	304.8	406.4	212.7	301.6	412.7	425.4	41	21-7-3563	304 stainless steel	raw	460g
382	508	228.6	355.6	457.2	238.1	352.4	463.5	476.2	37	21-7-3564	304 stainless steel	raw	490g
406.4	558.8	254	406.4	508	263.5	403.2	514.3	527	34	21-7-3565	304 stainless steel	raw	560g
432.8	609.6	279.4	457.2	558.8	288.9	454	565.1	577.8	30	21-7-3566	304 stainless steel	raw	590g
482.6	660.4	304.8	508	609.6	314.3	504.8	615.9	628.6	27	21-7-3567	304 stainless steel	raw	660g
508	711.2	330.2	558.8	660.4	339.7	555.6	666.7	679.4	25	21-7-3568	304 stainless steel	raw	690g





Stainless steel / Telescopic slides

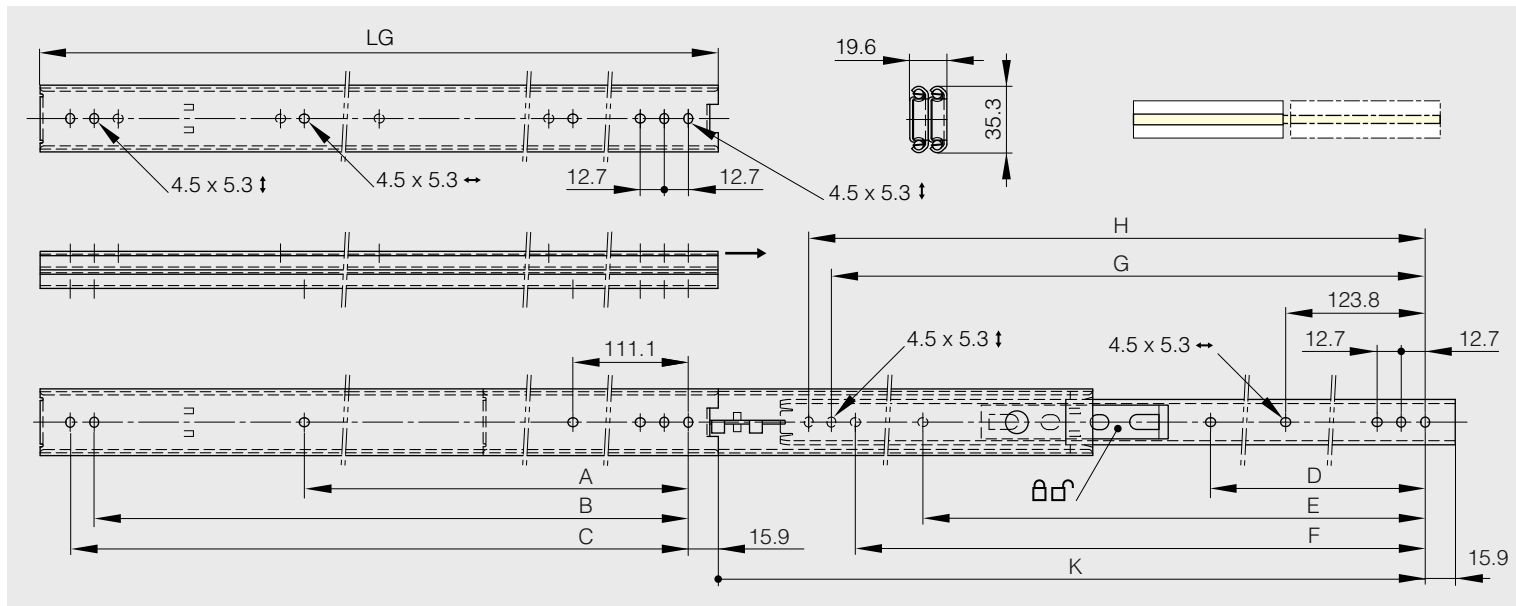
full extension ball-bearing slide (3 pieces), front disconnect and positive lock

LG = slide length

K = travel length

CN = load rating (kg/pair)

K	LG	A	B	C	D	E	F	G	H	CN	part number	material	finish	weight
437.6	406.4	-	-	349.2	361.9	374.6	250.8	361.9	374.6	57	21-7-3569	304 stainless steel	raw	840g
488.4	457.2	212.7	-	400	412.7	425.4	301.6	412.7	425.4	53	21-7-3570	304 stainless steel	raw	950g
539.2	508	238.1	-	450.8	463.5	476.2	352.4	463.5	476.2	49	21-7-3571	304 stainless steel	raw	1030g
590	558.8	263.5	415.9	501.6	514.3	527	403.2	514.3	527	45	21-7-3572	304 stainless steel	raw	1150g
640.8	609.6	288.9	466.7	552.4	565.1	577.8	454	565.1	577.8	42	21-7-3573	304 stainless steel	raw	1280g
691.6	660.4	314.3	517.5	603.2	615.9	628.6	504.8	615.9	628.6	39	21-7-3574	304 stainless steel	raw	1400g
742.4	711.2	339.7	568.3	654	666.7	679.4	555.6	666.7	679.4	36	21-7-3575	304 stainless steel	raw	1500g





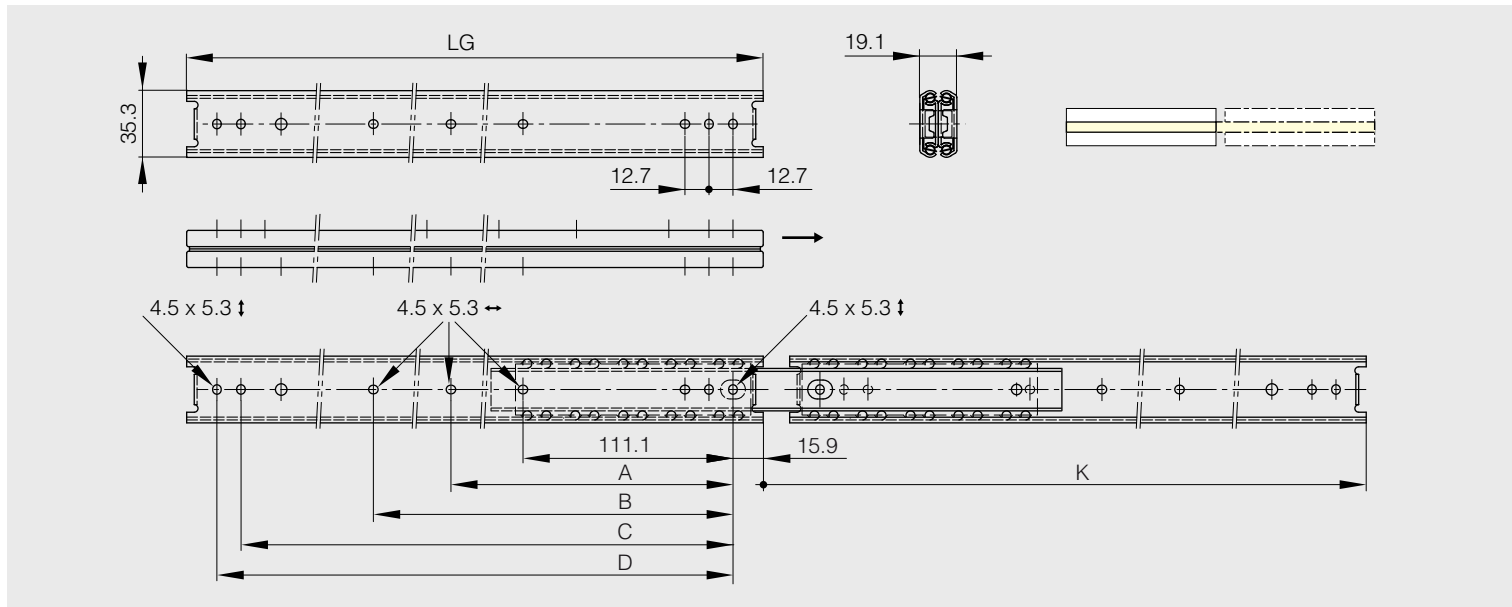
full extension ball-bearing slide (3 pieces), front disconnect and positive stop

LG = slide length

K = travel length

CN = load rating (kg/pair)

K	LG	A	B	C	D	CN	part number	material	finish	weight
327.2	304.8	-	149.2	260.3	273	60	21-7-3578	304 stainless steel	raw	620g
378	355.6	-	200	311.1	323.8	59	21-7-3579	304 stainless steel	raw	720g
428.4	406.4	-	250.8	361.9	374.6	57	21-7-3555	304 stainless steel	raw	820g
479.2	457.2	212.7	301.6	412.7	425.4	56	21-7-3556	304 stainless steel	raw	920g
530	508	238.1	352.4	463.5	476.2	54	21-7-3557	304 stainless steel	raw	1025g
580.8	558.8	263.5	403.2	514.3	527	51	21-7-3558	304 stainless steel	raw	1125g
631.6	609.6	288.9	454	565.1	577.8	49	21-7-3559	304 stainless steel	raw	1225g
682.4	660.4	314.3	504.8	615.9	628.6	47	21-7-3560	304 stainless steel	raw	1325g
733.2	711.2	339.7	555.6	666.7	679.4	45	21-7-3561	304 stainless steel	raw	1425g





Stainless steel / Telescopic slides

heavy duty, full extension ball-bearing slide (3 pieces), front disconnect and positive stop

LG = slide length

K = travel length

CN = load rating (kg/pair)

K	LG	A	B	C	CN	part number	material	finish	weight
420.6	406.6	-	250.8	374.6	259	21-7-3548	304 stainless steel	raw	2340g
471.4	457.4	212.7	301.6	425.4	250	21-7-3549	304 stainless steel	raw	2500g
522.2	508.2	238.1	352.4	476.2	241	21-7-3550	304 stainless steel	raw	2840g
573	559	263.5	403.2	527	229	21-7-3551	304 stainless steel	raw	3250g
623.8	609.8	288.9	454	577.8	216	21-7-3552	304 stainless steel	raw	3500g
674.6	660.6	314.3	504.8	628.6	200	21-7-3553	304 stainless steel	raw	3840g
725.4	711.4	339.7	555.6	679.4	182	21-7-3554	304 stainless steel	raw	4170g

