

Torque hinge adjustable

This torque hinge range is meant for articulating and holding a panel or door with no additional hardware thus simplifying design and saving installation time.

Main features:

- **Reduced** dimensions
- **Adjustable** holding **torque** with the aid of a **setting screw**
- Good corrosion **resistance**
- Suitable for **flush/nested** door
- Suitable for **RH** and **LH** doors
- Exists in **2 dimensions** (65 and 30)
- Fixing by **screws** or **studs**
- **Custom made** hinges, please ask us

Application examples:

- door panels
- industrial display
- seat headrest
- vehicles interior trimming
- Etc.

Material:

aluminium, anodised (clear or black) or raw aluminium
 cartridge: POM (polyacetal resin)
 setting screw: stainless steel
 washers: PA (polyamide), white or black
 studs: steel, zinc plated, white or black

Part numbers:

72-1-4145 and **72-1-4146** version 65
72-1-4147 and **72-1-4148** version 65
72-1-4160 and **72-1-4137** version 30
72-1-4136 version 30

Other hinges with additional features: see our catalogue.



Friction hinge 72-1-4146 and 72-1-4145

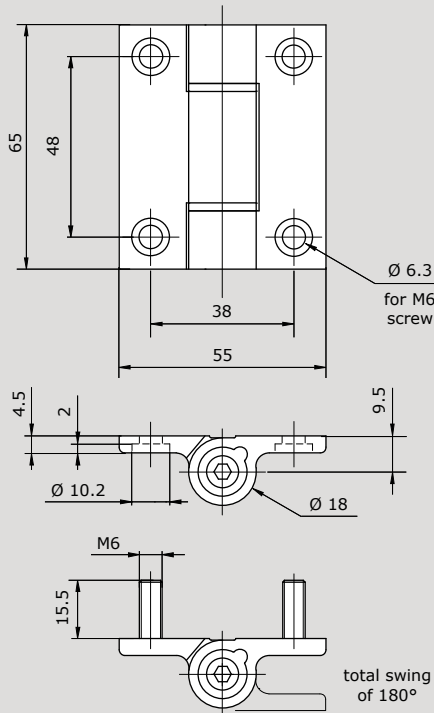


Friction hinge 72-1-4147 and 72-1-4148



Friction hinge 72-1-4137 and 72-1-4160

Torque hinge adjustable



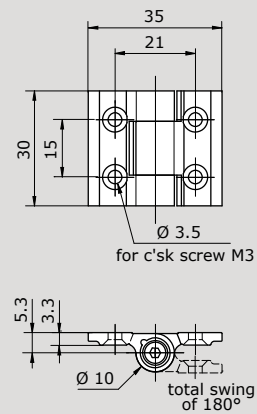
Scale: 1/2

Friction hinge version 65 (dimensions)

Part numbers	Fixing	Finish
72-1-4145	With holes	Clear anodised
72-1-4146	With holes	Black anodised
72-1-4147	With studs	Clear anodised
72-1-4148	With studs	Black anodised

Other information:

Holding torque: 0 to 5 N.m maximum *
 Setting key: hex 4 (not supplied)
 Tensile strength: 6,000 N
 Shear strength: 5,000 N
 Recommended temperature range: -20°C +80°C
 Fixing screws: according to DIN 912
 * dynamic range at room temperature



Scale: 1/2

Friction hinge version 30 (dimensions)

Part numbers	Fixing	Finish
72-1-4160	With holes	Clear anodised
72-1-4137	With holes	Black anodised
72-1-4136	With holes	Raw

Other information:

Holding torque: please ask
 Setting key: hex 2.5 (not supplied)
 Tensile strength: 2,240 N
 Shear strength: 1,050 N
 Recommended temperature range: please ask
 Fixing screws: according to DIN 7991
 * dynamic range at room temperature

Subject to technical changes

Pinet Industrie • 9, rue de l'Etang • Parc international d'activités Paris Nord 2
 BP 62036 • 95971 Roissy Charles de Gaulle Cedex • France
 Tél. : 33 (0)1 49 38 27 00 • Fax : 33 (0)1 48 63 77 70 • www.pinet.tm.fr

SAS au capital de 4 118 400 € • RCS Bobigny et SIRET • B 407 485 556 00010 • Code NAF : 286 F