

## Door positioning hinge

**This hinge allows the positioning of a panel or a door without the aid of jointed stays or support stays, thus saving room and assembly time.**

**Main features:**

- Combines **2 functions** in one set
- Indent every **90°**
- Reduced **weight**
- Easy **fitting**
- Strong resistance to **corrosion**

**Application examples:**

- Medical equipment
  - Commercial vehicles
  - Door panels
  - Stowage boxes
- Etc.

**Material:**

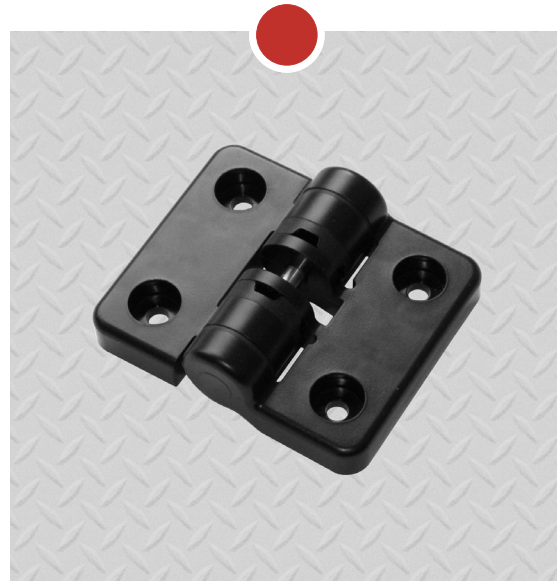
polyacetal resin POM  
stainless steel 303 pin  
polypropylene plugs

**Part number:**

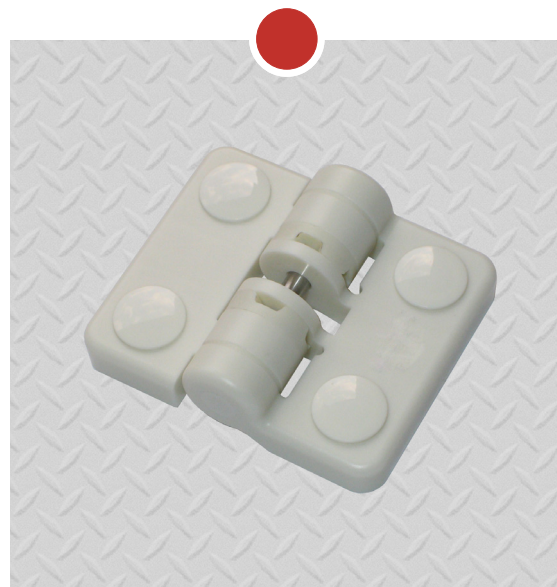
**54-7-3510** ivory colour

**54-7-3509** black colour

**Other hinges in composite material:**  
see our catalogue.

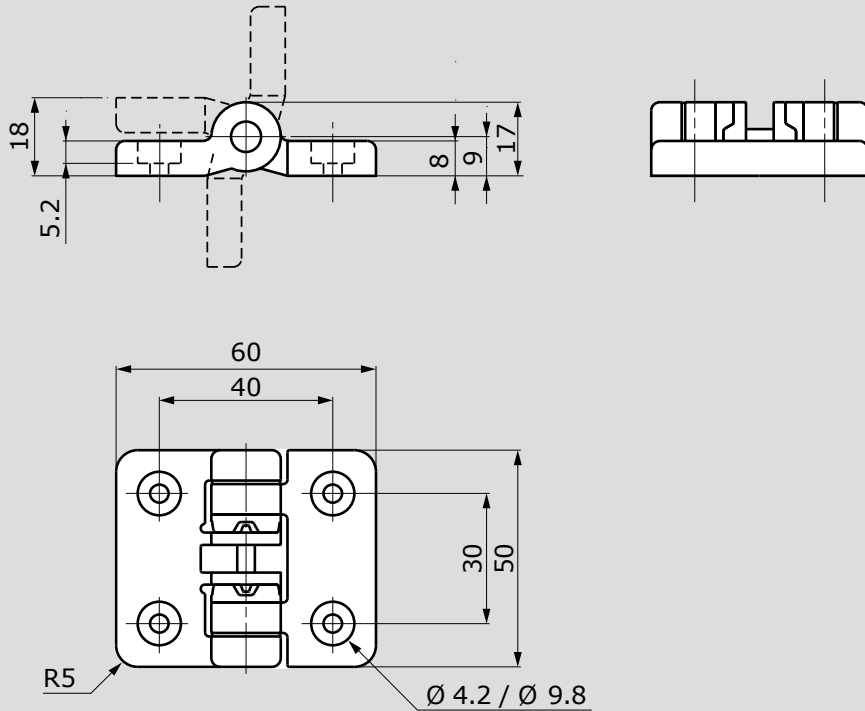


Door positioning hinge, black colour (w/o plugs)



Door positioning hinge, ivory colour (with plugs)

## Door positioning hinge



Door positioning hinge (dimensions)

**Strength guideline:**

Holding force : 49 Ncm non adjustable  
Tested over 10,000 cycles

**Other information:**

Total swing: 270°  
Number of positions: 4  
Indent position: every 90°  
Recommended temperature range: -20°C + 80°C  
Fixing screws: according to DIN 912

*Subject to technical changes*

**Pinet Industrie** • 9, rue de l'Étang • Parc international d'activités Paris Nord 2  
BP 62036 • 95971 Roissy Charles de Gaulle Cedex • France  
Tél. : 33 (0)1 49 38 27 00 • Fax : 33 (0)1 48 63 77 70 • [www.pinet.tm.fr](http://www.pinet.tm.fr)

SAS au capital de 4 118 400 € • RCS Bobigny et SIRET • B 407 485 556 00010 • Code NAF : 286 F