

T shape handle with locking

This T shape handle makes it possible to close and lock a door. After unlocking the door or panel the T handle pops out of its housing and can be rotated 90° in both LH or RH direction that in turn operates a cam.

Main features:

- A **compact** handle with minimal front protrusion
- **Flush** design
- **Concealed** fixing
- **LH** and **RH** using
- Handle with **automatic** locking
- **Tubular key** locking (keyed alike)
- Acts as **pulling handle**
- Can be used on a **variety** of door or panels **thickness**

Application examples:

- Workshop furniture
- Vending machines
- Cabinets
- Machines hoods
- Etc.

Material :

zinc die-cast, chrome plated

Options (please ask for details):

- zinc die-cast, black coating
- other keying

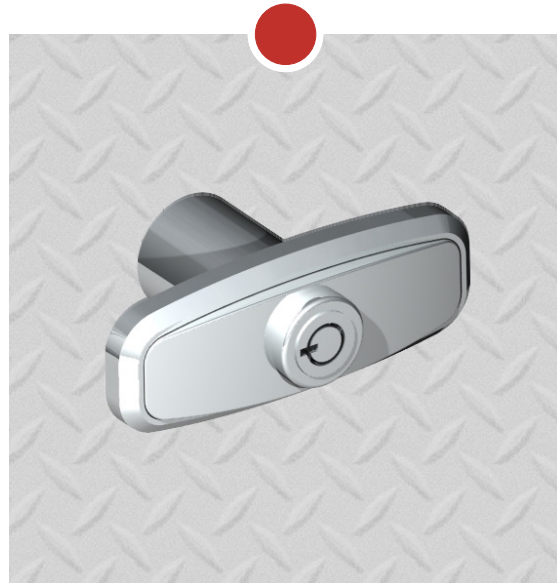
Part number:

16-7-4071 chrome plated
(supplied with 2 tubular keys)

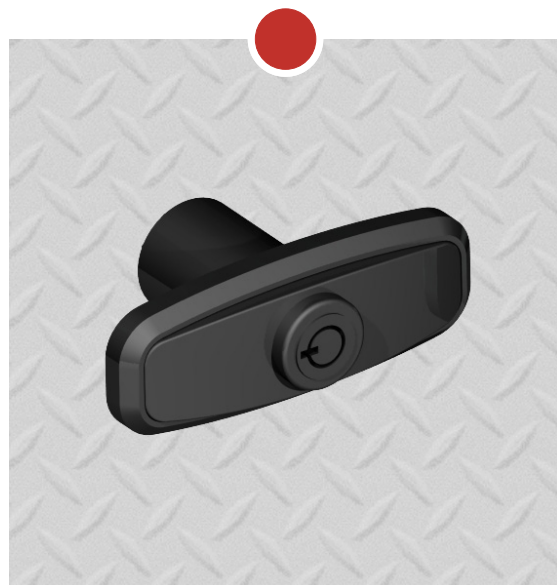
IP rating:

no

Other latches: see our catalogue.

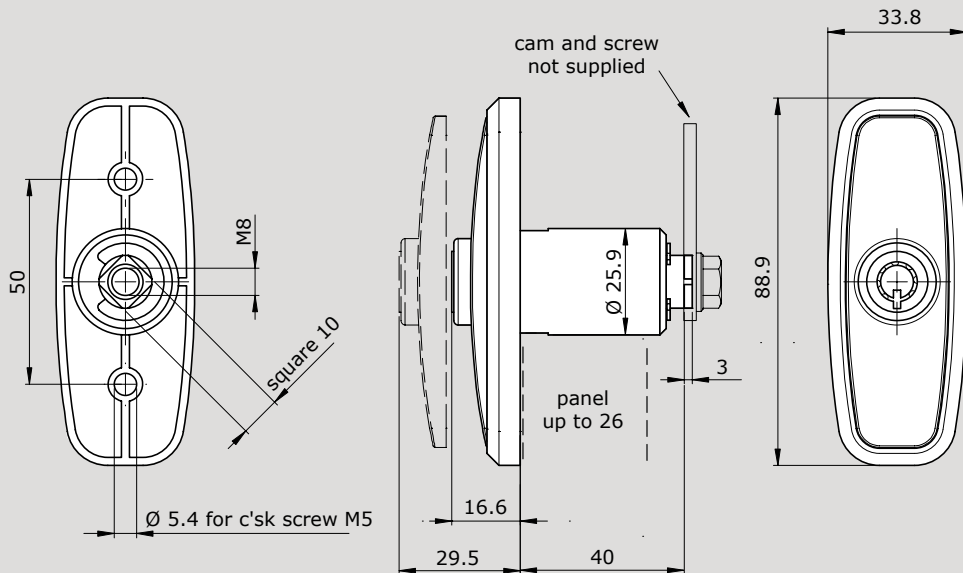


T shape handle chrome plated



T shape handle black coating (option)

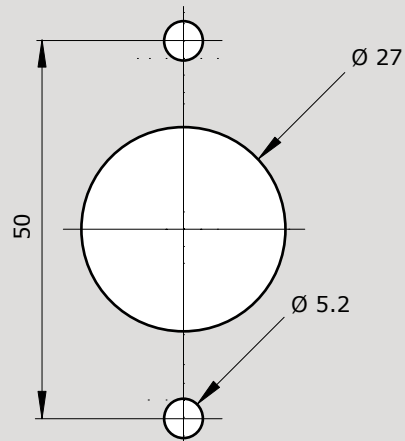
T shape handle with locking



T shape handle (dimensions)

Other information :

Cam not supplied (thickness mini 3 mm)
 Cam fixing screw not supplied
 Handle fixing screws not supplied
 Handle fixing screws: according to DIN 7991



Cut-out (scale 1/1)

Subject to technical changes

Pinet Industrie • 9, rue de l'Etang • Parc international d'activités Paris Nord 2
 BP 62036 • 95971 Roissy Charles de Gaulle Cedex • France
 Tél. : 33 (0)1 49 38 27 00 • Fax : 33 (0)1 48 63 77 70 • www.pinet.tm.fr

SAS au capital de 4 118 400 € • RCS Bobigny et SIRET • B 407 485 556 00010 • Code NAF : 286 F