

Hinges with and without spring for swimming pool & commercial furniture

This range of hinges with and without return spring is designed to meet the requirement of manufacturers producing lockers and cubicles in laminate or melamine boards.

Main features:

- High corrosion resistance (SS 316)
- **With** and **without** return spring
- Suitable for **flush/nested** doors
- Exists in **RH** and **LH** versions
- For panel thickness **13** and **10** mm
- **Non removable** pin
- **Custom made** hinges, please ask us

Application examples:

- swimming pool lockers/cubicles
- schools
- hotels
- camp sites
- health clubs
- Etc.

Material:

SS 316

pin: SS 316

return spring: stainless steel

Part numbers:

62-1-3637 without spring, 13 mm panel

62-1-3625 without spring, 10 mm panel

71-1-3649 with spring, 13 mm panel

71-1-3622 with spring, 10 mm panel

Other versions: please contact us

Other hinges for swimming pool & commercial furniture: see our catalogue.

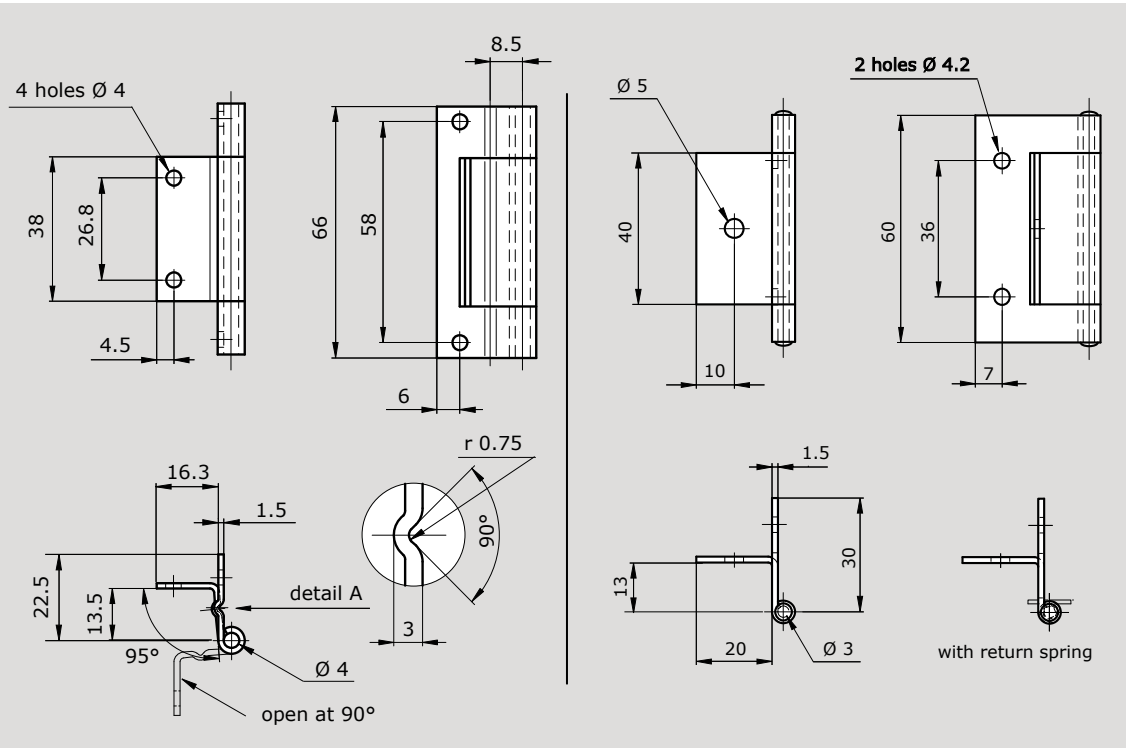


Hinges 71-1-3649 and 62-1-3637



Hinge 71-1-3622

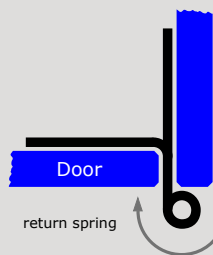
**Hinges with and without spring
for swimming pool & commercial furniture**



Hinges with and without spring (dimensions)

Part numbers	Version
62-1-3637	Without spring
71-1-3649	With spring

Part numbers	Version
62-1-3625	Without spring
71-1-3622	With spring



Hinge with spring (fitting)

Subject to technical changes

Pinet Industrie • 9, rue de l'Etang • Parc international d'activités Paris Nord 2
BP 62036 • 95971 Roissy Charles de Gaulle Cedex • France
Tél. : 33 (0)1 49 38 27 00 • Fax : 33 (0)1 48 63 77 70 • www.pinet.tm.fr

SAS au capital de 4 118 400 € • RCS Bobigny et SIRET • B 407 485 556 00010 • Code NAF : 286 F