

Hi-Klik™ Indent hinge (door positioning hinge)

These hinges allow opening panels to be positioned every 30° and maintained in position without auxiliary components.

The retaining torque is factory set and cannot be modified by users.

Main features:

- **Small** dimensions
- Combines **2 functions** in one set: articulation and positioning
- Indent every **30°**
- **2** retention **torque values** depending on variant
- Rotation angle from **180°** up to 270° depending on fitting
- For **LH** and **RH** fitting
- **Tested** over 30,000 cycles
- **Similar footprint** to our friction hinge to allow interchangeability.
- **Bespoke** versions on request (salt spray resistance, other torque values, etc.)

Application examples:

- machine covers
- industrial display units and LCD screens
- seat headrests
- vehicles interiors
- Etc.

Material:

wings: black anodised aluminium
positioning mechanism: raw sintered steel
screw and nut : stainless steel
washers: black polyamide (PA)

Part numbers:

72-1-4197 (torque 1.8 Nm)

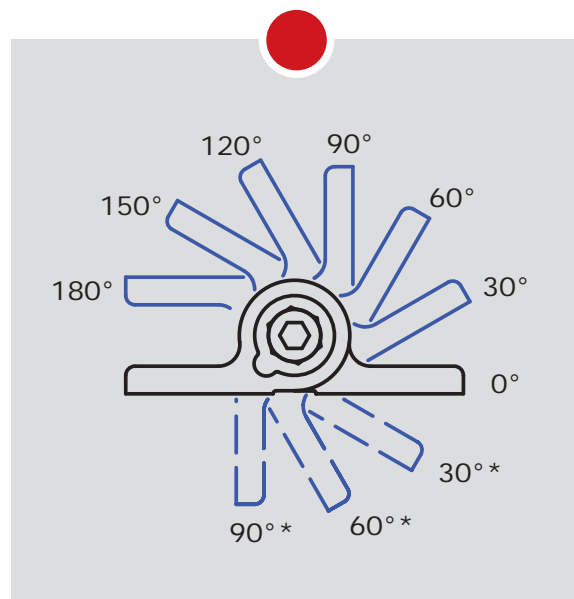
72-1-4198 (torque 2.5 Nm)

72-1-4225 (torque 3.2 Nm)

Others hinges with special features:
see our catalogue.



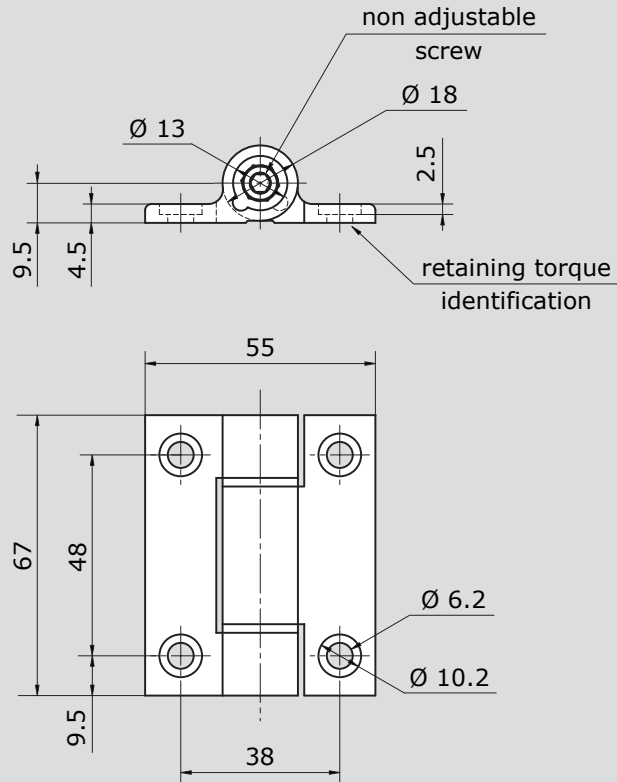
Hi-Klik™ Indent hinges 72-1-4197, 72-1-4198 and 72-1-4225



Angular indexing positions

* for indication purpose only, depends on panel thickness

Hi-Klik™ Indent hinge (door positioning hinge)



Part number	Panel holding torque	Torque to overcome indenting
72-1-4197	0,8 Nm*	1,8 Nm*
72-1-4198	1,2 Nm*	2,5 Nm*
72-1-4225	2,0 Nm*	3,2 Nm*

* tolerance: ± 20%

Additional information

Rotation angle: 180° (up to 270° depending on fitting)
 Indenting: every 30°
 Number of cycles: 30,000 (with 20% torque loss)
 Recommended operating range : from -30°C to +70°C
 Fixing screws: according to DIN 912

Subject to technical changes

Pinet Industrie • 9, rue de l'Etang • Parc international d'activités Paris Nord 2
 BP 62036 • 95971 Roissy Charles de Gaulle Cedex • France
 Tél. : 33 (0)1 49 38 27 00 • Fax : 33 (0)1 48 63 77 70 • www.pinet.tm.fr

SAS au capital de 4 118 400 € • RCS Bobigny et SIRET • B 407 485 556 00010 • Code NAF : 286 F